

ACU 1 E ST

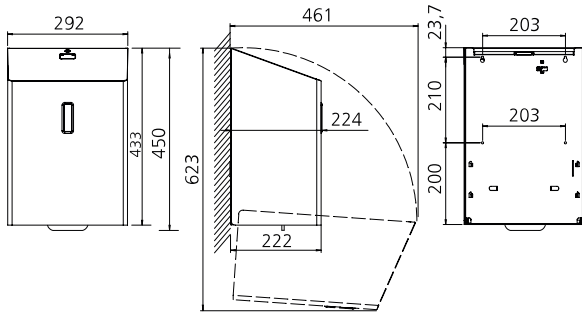
Paper roll dispenser with automatic paper cutting for single sheets

Art. No. 1423579

OPHARDT
HYGIENE

OPHARDT HYGIENE-TECHNIK GmbH
Lindenau 27 | 47661 Issum | Germany
Tel.: +49 (0) 28 35 18-10 | Fax +49 (0) 28 35 18-77
planer@ophardt.com | www.ophardt.com

ACU 1



Maße in mm - Dimensions in mm



References

airports, train stations, schools, kindergardens, hotels, restaurants, commercial kitchen, food processing areas, prisons, exhibitions, conference centres, shopping centres, fitness and sports centres, industry, laboratories, administration facilities

Usage examples

washrooms, toilets, baths, nursing and examination rooms, kitchens, production facilities

Technical data

Housing:	Stainless steel, brushed with Anti-Fingerprint-Coating (Steel Touch)
Filling volume (sheet):	1 Paper roll
Paper type:	Paper roll, with outer winding, max. roll width 190-210 mm, max. roll diameter 210 mm, core diameter > 36 mm
with/without viewing window:	Clear
Lock:	SanTRAL vandalism-proof lock, plastic
Mounting:	Wall mounting with 4 screws and wall plugs
Cleaning:	manual wipe disinfection, not dishwashersafe, not autoclavable
Warranty:	5 years
Net weight:	5.57 kg
Dimensions (W x H x D) in mm:	292x433x222
Note:	Before using new products, please always check the compatibility of the product and the dispensing system to ensure proper functionality.

Compatible accessories

Kit SR ACU 1
Smart retrofit kit for ACU 1 paper roll towel dispensers Art. No. 1423659

Please see other accessories in our Online Product Catalogue.