

77519

Katrin Plastic Dispenser For System Toilet Paper Roll, Black

- Holds two Katrin System toilet rolls
- Seamless dispensing with drop-down roll system and adjustable roll brake
- Easy and quick to refill
- Can be refilled while the second roll is in use, so tissue is always available
- 1360 - 1836 sheets, depending on paper quality
- Two versions available: with or without core catcher
- Better paper accessibility at the front of the dispenser opening
- The lock can be used with or without a key
- No searching around inside the dispenser opening for the loose end of the paper roll
- Main raw materials of major plastic parts and lock: ABS (Acrylonitrile butadiene styrene), PC (polycarbonate), POM (polyoxymethylene)
- Katrin Inclusive dispensers are resistant to high temperatures
- Comply with UL94 Fire Safety and Fire Protection regulations (EU)



ISO 9001 **ISO 14001**

Country of Origin: Romania

Product


Length/Depth	172 mm	Colour	Black
Width	152 mm	Gross weight	0.896 kg
Height	312 mm		

Trading unit

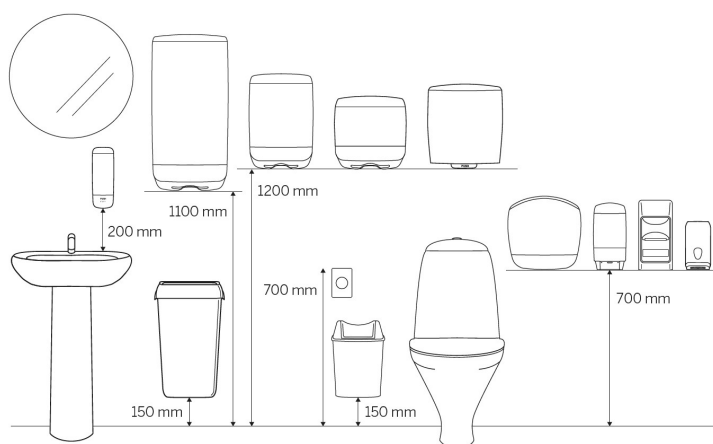
Length/Depth	318 mm	Gross weight	1.08 kg	EAN
Width	154 mm	Consumer packs/ trading unit	1	
Height	187 mm			



Pallet

Length/Depth	1,200 mm	Gross weight	131.31 kg	EAN	 6 4 143 01 077 526
Width	800 mm	Trading units / pallet	102		
Height	1,272 mm				

Measurements and Installing



Related products

Selection from all countries. Please refer to web page for market-specific availability.



156104
Katrin Dispenser Toilet
Paper Roll System 567
Sheets 2-Ply, Yellow



103424
Katrin Dispenser Toilet
Paper Roll System 800
Sheets 2-Ply



87365
Katrin Plus Dispenser
Toilet Paper Roll System
684 Sheets 2-Ply



66940
Katrin Plus Dispenser
Toilet Paper Roll System
800 Sheets 2-Ply

This leaflet is provided for information purposes only and no liability of any kind is accepted for potential errors or inaccuracies. Metsä Tissue reserves the right to alter its products, product information and product range without any notice.