

## SENSOR OPERATED

## Smartflow M04A



**M04A**  
White finish



**M04AB**  
Matte black finish



**M04AC**  
Bright finish



**M04ACS**  
Satin finish

### General description

- The economic line of Smartflow® hand dryers is one of the most compact in the market, designed for locations that because of their size require small sized washroom accessories that meet two requirements: low consumption and optimum hand drying.
- These units are automatic dryers that offer an optimum relationship between functionality and price. Because of its features and design, this economic line is intended to be installed in areas with a medium traffic of people like for example medium sized restaurants, cafeterias or the offices of a small or medium sized company.
- Four models with different finishes are available: white, matte black, bright and satin. All of them with an ABS resistant cover and electronic detection sensor by infrared beam with adjustable distance detection, that allows a better adaptability to different types of washrooms.
- These dryers also provide maximum safety, with a safety thermal cut off installed in the motor and another one in the dryer's heating element.

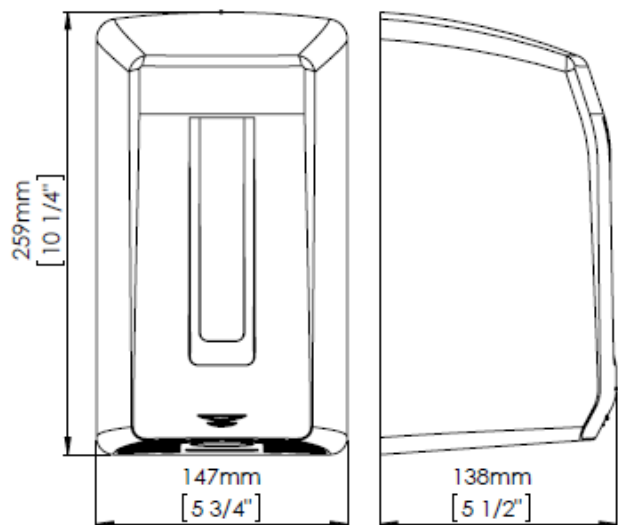
### Components and materials

- M04A:** White ABS thermoplastic one-piece cover, 3 mm thick. Cover fixed to the base by means of 2 screws.
- M04AB:** Matte black ABS thermoplastic one-piece cover, 3 mm thick. Cover fixed to the base by means of 2 screws.
- M04AC:** Bright finish ABS thermoplastic one-piece cover, 3 mm thick. Cover fixed to the base by means of 2 screws.
- M04ACS:** Satin finish ABS thermoplastic one-piece cover, 3 mm thick. Cover fixed to the base by means of 2 screws.
- BASE PLATE:** made of thermoplastic PP + talcum with 4 Ø 6 mm holes for wall mounting.
- MOTOR:** universal brush motor, 15,000 rpm, which includes a safety thermal cut-off.
- FAN WHEEL:** fire resistant plastic PP-V0 helicoidal fan wheel.
- HEATING ELEMENT:** waved wire NiCr heating element on a mica frame that incorporates a safety thermal cut-off.
- DETECTION SENSOR:** fully adjustable (5-25 cm) IR electronic detection sensor by means of a potentiometer.

### Technical Specifications

<b>Voltage</b>	220- 240 V
<b>Frequency</b>	50/60 Hz
<b>Electrical Isolation</b>	Class II
<b>Total power</b>	1,100 W
<b>Consumption</b>	4.8 A
<b>Motor power</b>	150 W
<b>Rpm</b>	15,000
<b>Heating element power</b>	950 W
<b>Dimensions</b>	259x147x138 mm.
<b>Weight</b>	1.2 Kg
<b>Cover thickness</b>	3 mm
<b>Drying time</b>	39 sec.
<b>Effective airflow</b>	102 m <sup>3</sup> /h (1,700 L/min)
<b>Air velocity</b>	100 Km/h
<b>Air temperature (10 cm distance/21°C)</b>	55 °C
<b>Sound pressure (at 2m)</b>	67 dBA
<b>Protection rating</b>	IP23

### Dimensions



Dimensions: ± 4

---

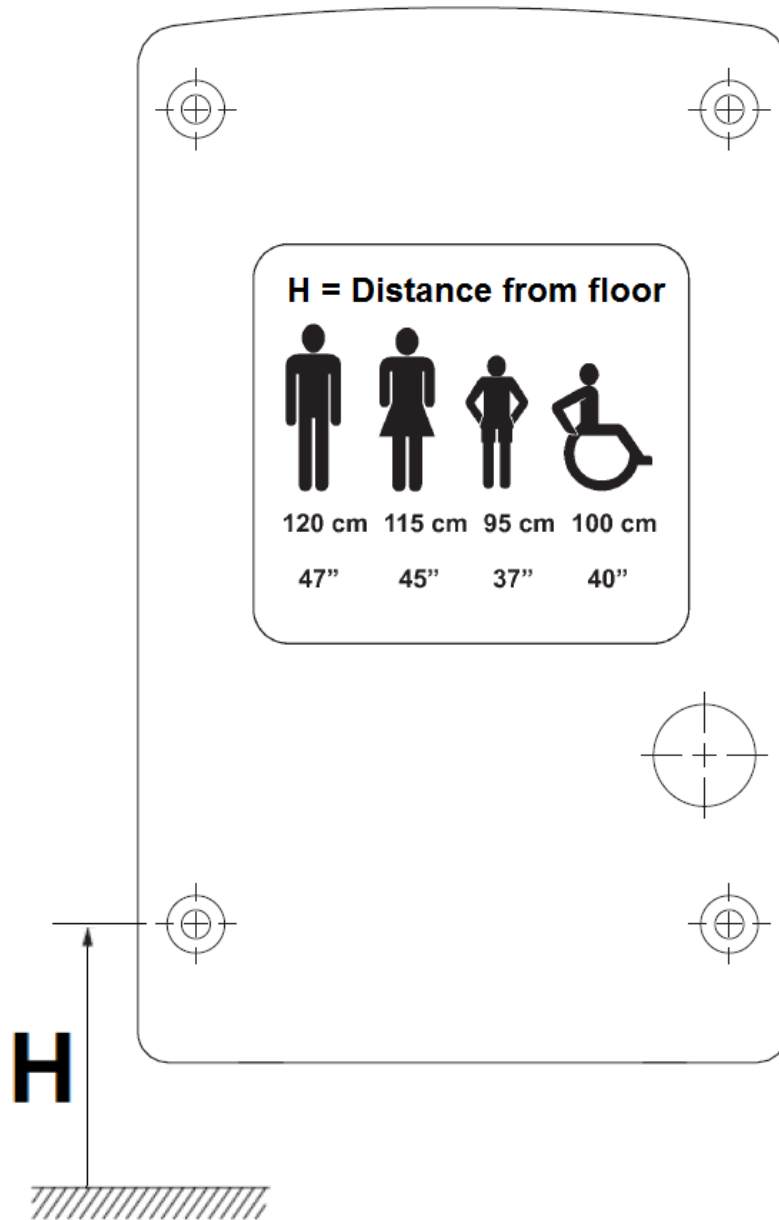
**Operation**

Place the hands under the air outlet. The dryer will start automatically, and go on with no interruption as long as the hands are kept in the detection range of the sensor. The appliance will stop 2 seconds after the hands are removed from the airflow.

---

**Mounting****Recommended heights distance from the floor**

---



---

**Certificates and qualifications**

---



Mediclinics, S.A., reserves the right to make changes and/or modifications to the products and their specifications without prior notice.  
Review 10-20 © mediclinics S.A.

