

82254

Katrin Plastic Dispenser Medium For Centrefeed Roll, Black

- Many different Katrin centre feed tissue paper options available, both coreless and rolls with detachable cores
- Easy to insert a new roll through the open space inside the loading section
- No searching around inside the dispenser opening for the loose end of the paper roll
- The lock can be used with or without a key
- Safe cutting system
- Main raw materials of major plastic parts and lock: ABS (Acrylonitrile butadiene styrene), PC (polycarbonate), POM (polyoxymethylene)
- Katrin Inclusive dispensers are resistant to high temperatures
- Comply with UL94 Fire Safety and Fire Protection regulations (EU)




ISO 9001 **ISO 14001**

Product

Length/Depth	240 mm	Colour	Black
Width	263 mm	Gross weight	1.611 kg
Height	404 mm		

Trading unit

Length/Depth	240 mm	Gross weight	2.015 kg	EAN	 6 4 14301 082254
Width	266 mm	Consumer packs/ trading unit	1		
Height	425 mm				

Pallet

Length/Depth 1,200 mm

Gross weight 85.6 kg

EAN

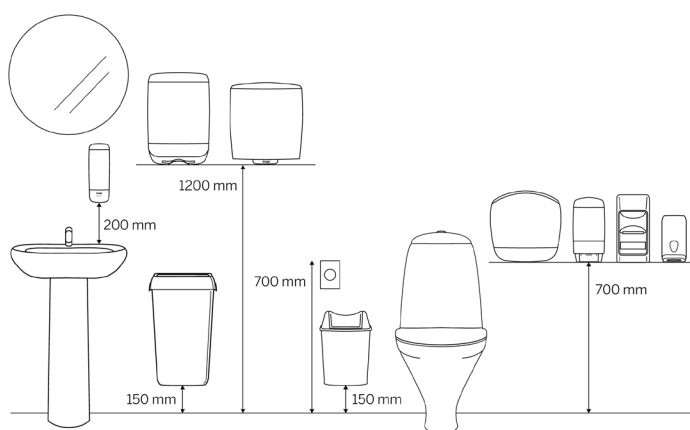


Width 800 mm

Trading units / pallet 30

Height 1,000 mm

Measurements and Installing



Related products

Selection from all countries. Please refer to web page for market-specific availability.



485049

Katrin Centrefeed Roll
Medium 1000 Sheets 1-Ply



433383

Katrin Centrefeed Roll
Medium 300 metres 1-Ply



464414

Katrin Centrefeed Roll
Medium 400 Sheets 2-Ply
Laminated, Blue



481903

Katrin Centrefeed Roll
Medium 410 Sheets 2-Ply



481911

Katrin Centrefeed Roll
Medium 500 Sheets 2-Ply



74526

Katrin Centrefeed Roll
Medium 500 Sheets 2-Ply



463966

Katrin Centrefeed Roll
Medium 700 Sheets 1-Ply,
Yellow



3389

Katrin Centrefeed Roll
Small 75 Meters 2-Ply



64403

Katrin Plus Centrefeed Roll
Medium 300 Metre 1-Ply



55227

Katrin Plus Centrefeed Roll
Medium 600 Sheets 2-Ply



475355

Katrin Plus Centrefeed
Roll Medium Coreless 280
Metre 1-Ply



475218

Katrin Plus Centrefeed Roll
Small Coreless 110 Metre
1-Ply