

SENSOR OPERATED

Mediflow Basic M03A



M03A



M03AC



M03ACS

General description

- Mediflow® Basic hand dryers automatically operated are characterized by their power and ruggedness. They are manufactured according to the highest quality and safety standards using, as for example, safety thermal limiters (in the heating element and in the motor).
- Mediflow® solutions are proven long lasting and completely reliable models. Versatile hand dryers with anti-vandalism features and designed to be installed in areas with a large traffic of people such as: airports, large hotels, sports centers, large recreational areas and official organizations among others.

Components & materials:

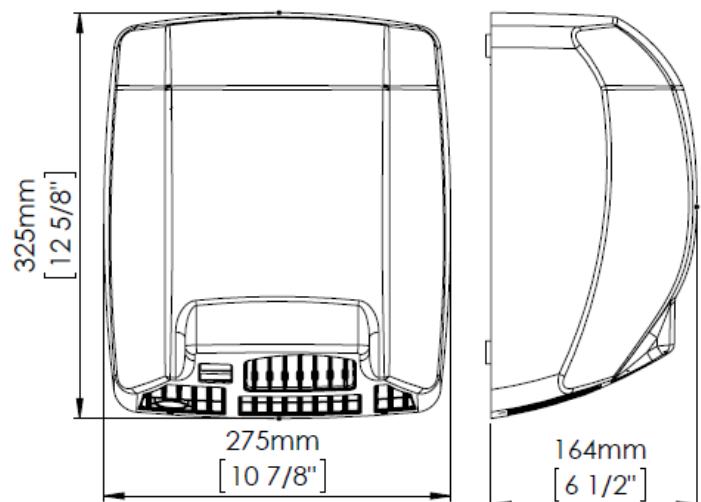
- **M03A:** Steel one-piece cover, Epoxy painted, 1.5 mm. thick.
- **M03AC:** Stainless steel one-piece cover, bright finish, 1.5 mm. thick.
- **M03ACS:** Stainless steel one-piece cover, satin finish, 1.5 mm. thick.
- Fire resistant plastic PA 6 -V0 base and fan scroll, with 4 Ø 8 mm holes for wall mounting. It includes silent-blocks to damp mechanical vibrations.
- Universal brush motor, 4,500 rpm, F class, which includes a safety thermal cut-off.
- Aluminium centrifugal double asymmetrical inlet fan wheel.
- Waved wire NiCr heating element on a mica frame that incorporates a thermal cut-off.
- Fully adjustable (5-25 cm) IR electronic detection sensor by means of a potentiometer.

Technical Specifications:

Voltage	220- 240 V
Frequency	50/60 Hz
Electrical Isolation	Class II
Total power	2,750 W
Consumption	12A
Motor power	250 W
Rpm	4,500
Heating element power	2,500 W
Dimensions	325x275x164 mm.
Weight	4.25 Kg
Cover thickness	1.5 mm
Drying time	29 sec.
Effective airflow	450 m ³ /h (7,500 L/min)
Air velocity	95 Km/h
Air temperature (10 cm distance/21°C)	50°C
Sound pressure ^(*) (at 2m)	65 dBA
Protection rating	IP23

(*) According to UNE EN ISO 11201:2010 V2 standard.

Dimensions:



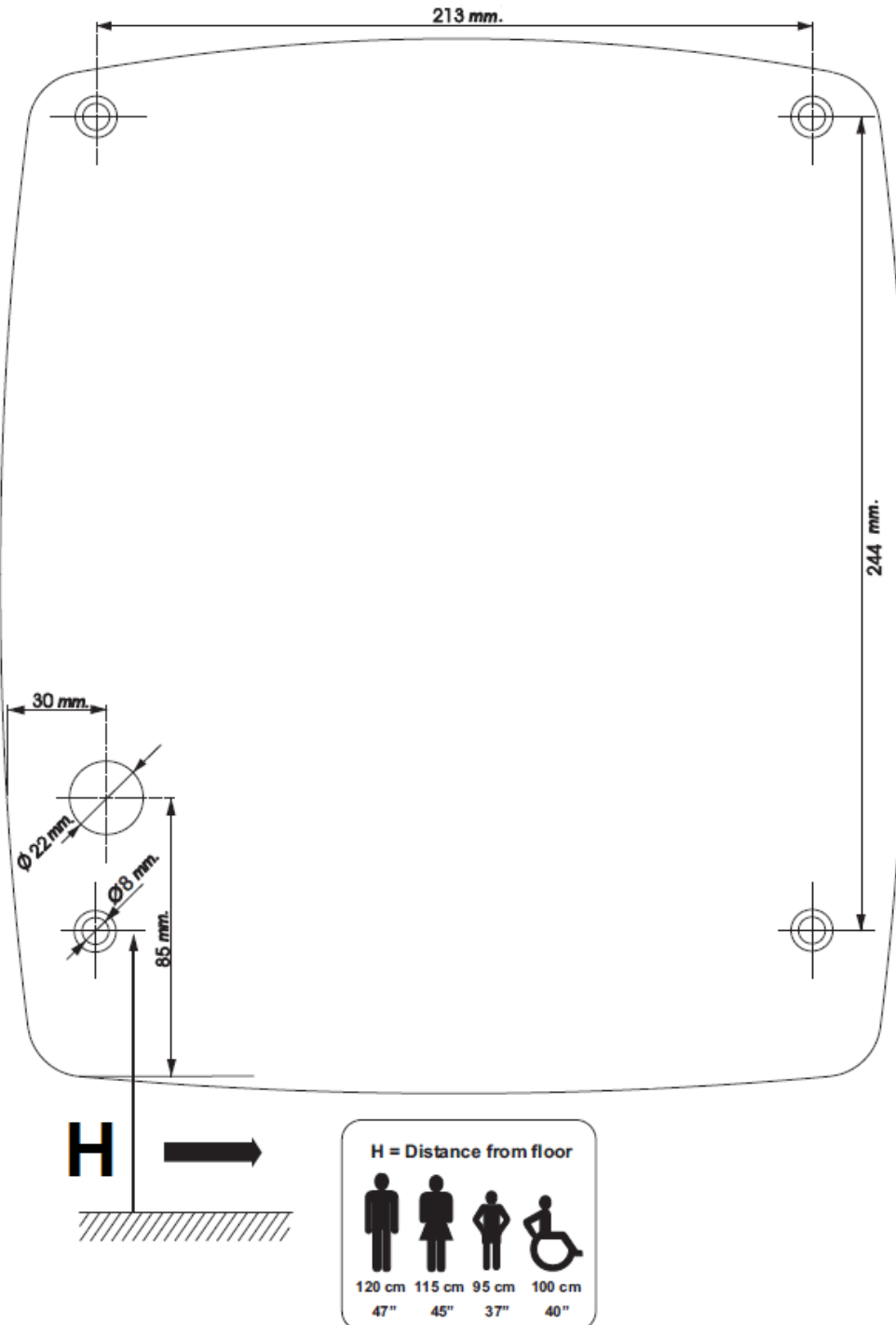
Dim. ± 4%

Operation

Place the hands under the air outlet. The dryer will start automatically, and go on with no interruption as long as the hands are kept in the detection range of the sensor. The appliance will stop 2 seconds after the hands are removed from the airflow.

Mounting

Recommended heights distance from the floor



Certificates & Qualifications

