

Automatic Deck Mount Dispenser Instruction Manual

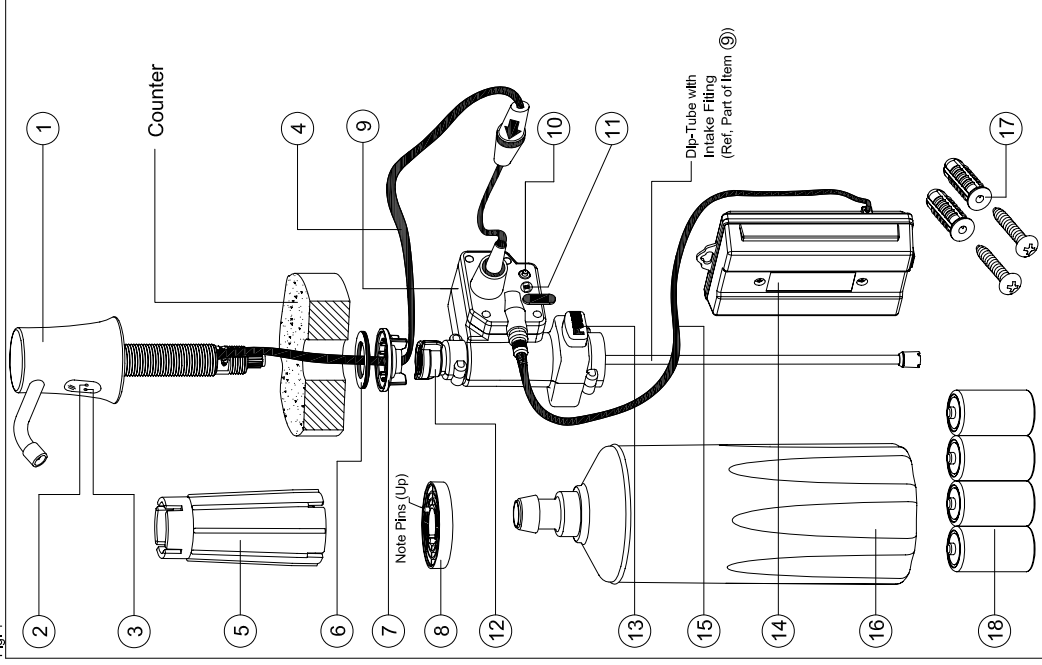
1. Specifications:

1	1600 ml (54 oz)
2	4 x D 1.5V Alkaline Batteries
3	Auto Adjustment
4	4°C-40°C (39°F-104°F)
5	0.5 ~ 1 sec
6	1-2ml (0.03 oz-0.067 oz)
7	2000-3500 mPa·s (3500 centipoise MAX)

2. Assembly and Packaging List Ref Fig. 1

Item	Description	Qty
1	Spout Assembly	1
2	Low Voltage LED Light (Red)	1
3	Low Soap LED Light (Blue)	1
4	Spout Assembly Connection	1
5	Wrench for tightening Item 7 Basin Nut	1
6	Rubber Gasket	2
7	Basin Nut	1
8	Spacer (add 10mm height) Optional	1
9	Control Box	1
10	Soap Counter Reset Button (Orange)	1
11	Counter Adjustment Switches 8000 Times (1600 ml tank) Low Soap LED Disable/Enable (See detail Fig. 14)	1
12	Control Box Mounting Nut	1
13	Soap Tank Release Button	1
14	Battery Box	1
15	Battery Box Connection Cable	1
16	Soap Tank, Refillable	1
17	Screws & Anchors Kit MAX19; 67 Hole	2 sets
18	Alkaline Batteries Required D 1.5V PC1300 Duracell Procell Suggested (Optional)	4

Fig. 1



3. Installation

3-1. Replacing Existing Dispenser.

- Remove old components.
- Clean area.
- Check if hole is large enough.
- Check if small diameter is $\phi 25.4$ (1" Dia)
- Check if hole diameter is within 10mm (3/8") above the counter as shown in Fig. 3.
- Proceed to 3-3.

3-2. New Dispenser Installation.

- Choose a suitable location (Fig. 2A), cut and paste installation template (Fig. 2B) on the drilling location. Ensure clearance above and below the counter as shown in Fig. 3.
- Drill a $\phi 25.4$ mm (1") diameter hole in counter top. Clean area around hole.

3-3. Determine whether adding a spacer is needed (Paragraph 5).

- Add spacer if sink rim is 10mm (3/8") higher than the counter (Fig. 4).
- No need to add spacer if sink rim is within 10mm (3/8") above the counter (Fig. 5).

Fig. 2B (Counter drilling template)

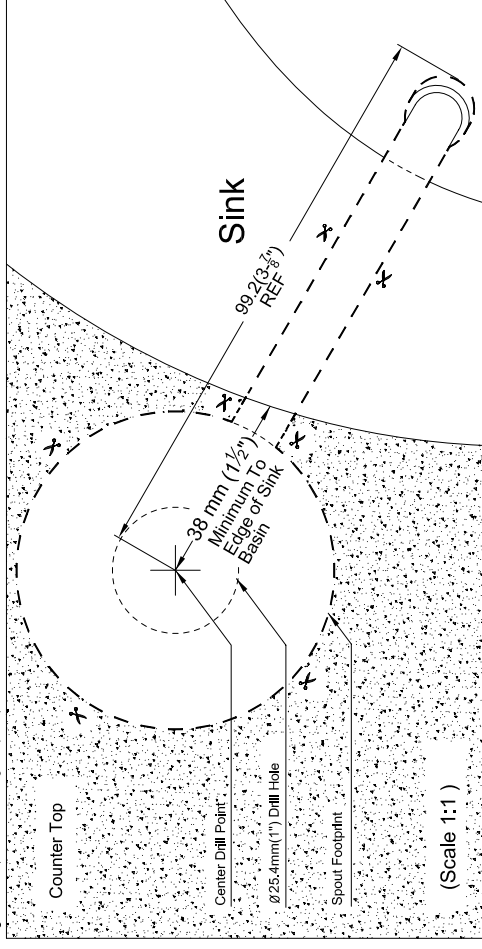


Fig. 3

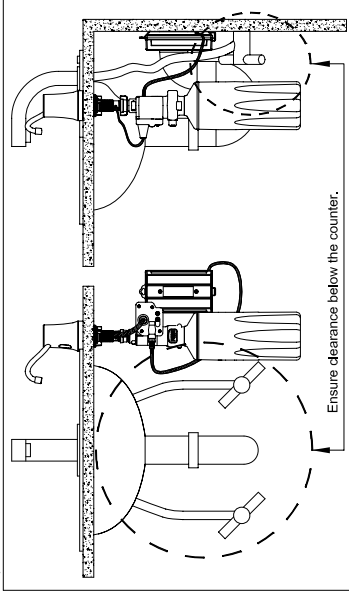


Fig. 4

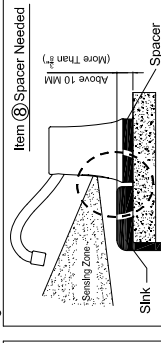
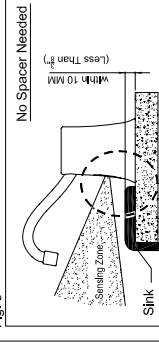


Fig. 5



4. Spout Installation:

4-1. Do You Need Spacer? (Fig. 7).

- Add spacer, engage pins & grooves.
- Place first rubber gasket.
- Place spout shank into counter hole.
- Place second rubber gasket.
- Place basin nut.
- Adjust spout angle (Fig. 6) then tighten by hand with wrench provided.

4-2. No Spacer Needed (Fig. 8).

- Guide spout shank into counter hole.
- Place rubber gasket.
- Place basin nut.
- Adjust spout angle (Fig. 6) then tighten by hand with wrench provided.

Fig. 7

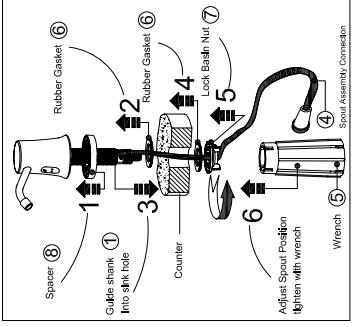


Fig. 8

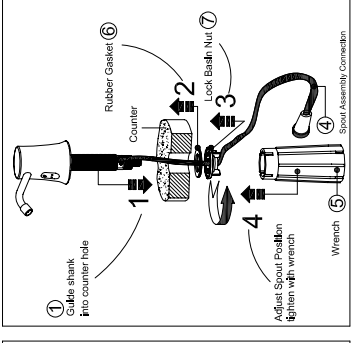


Fig. 6

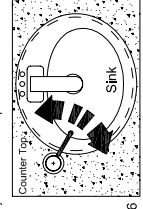
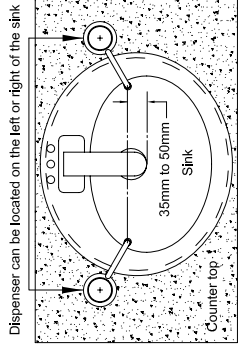


Fig. 2A



Dispenser Mounting Hole Drilling Template (Scale 1:1) Opposite Side Fig. 2B.

5. Control Box Installation:

- ### 5-1. Installation procedure (Fig. 9).
1. Ensure area around soap tank release button (10) and counter reset button (11) and connection line is clear for operation.
 2. Confirm position then turn mounting bracket (12) and control box onto spout shaft.
 3. Plug-in connection line (4) from spout into control box.

6. Battery Box Installation:

- ### 6-1. Correct Polarity (Fig. 15).
- Make sure the batteries are installed in correct polarity position.
- ### 6-2. Wall mount (Fig. 10).
1. Mark screw holes with back plate.
 2. Install anchors at $\varnothing 6$ mm or $\varnothing 7/16$ inches.
 3. Screw in the backplate lightly.
 4. Install 4 "D" 1.5V alkaline batteries (Fig. 15).
 5. Place battery box cover.
 6. Connect power line into control box.
- ### 6-3. Removable installation (Fig. 11).
1. Drill a $\varnothing 6$ mm or $\varnothing 7/16$ inch hole in a convenient location.
 2. Install anchor.
 3. Drive in the screw to leave partially out.
 4. Hang the battery box on the screw.
 5. Connect power line into control box.

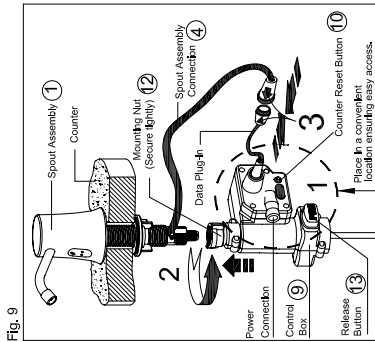


Fig. 9

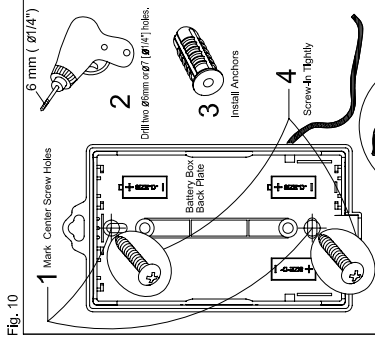


Fig. 10

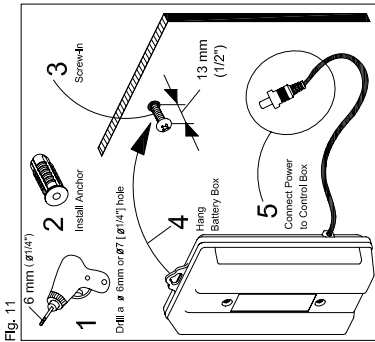


Fig. 11

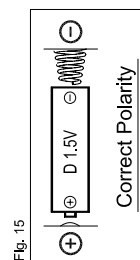


Fig. 15

7. Refill Soap Supply:

(Fig. 12).

1. Ensure soap is free of particles (Viscosity 2000-3500 mPa·s).
2. Ensure filling cup and funnel are clean.
3. Max. filling level as shown in Fig. 12.
4. Soap tank will click-on from bottom up. Avoid kinking dip-tube.
5. Push counter reset button (must reset after every refill).
6. Press PUSH to release soap tank for refilling.
7. Clean soap tank with water periodically.
8. When soap level indicator (8) is turned OFF (see Fig. 14), lower soap tank. Red LED will flash four times when level is approximately 20 MM(3/4") from bottom.

8. Operation:

1. Start the system by passing your hand under the spout. Soap will dispense automatically within 1 second. (Fig. 13) (Dispense 10-20 lines for first time use to prime dip-tube).
2. Refill soap when soap level is low. (Fig. 12).
3. Low soap LED condition indicator can be turned ON or OFF (see Fig. 14). Factory setting is preset to ON.

9. Maintenance:

1. Use soft and moist cloth to clean. Avoid spraying water directly to the cover with care. Avoid scratching the cover.
2. Clean sensor cover with care. Avoid scratching of installation or sooner if high use requires.
3. Clean sensor cover every year on anniversary of installation.
4. During power connection, red LED light will flash four times to indicate system reset/ready.

Fig. 13

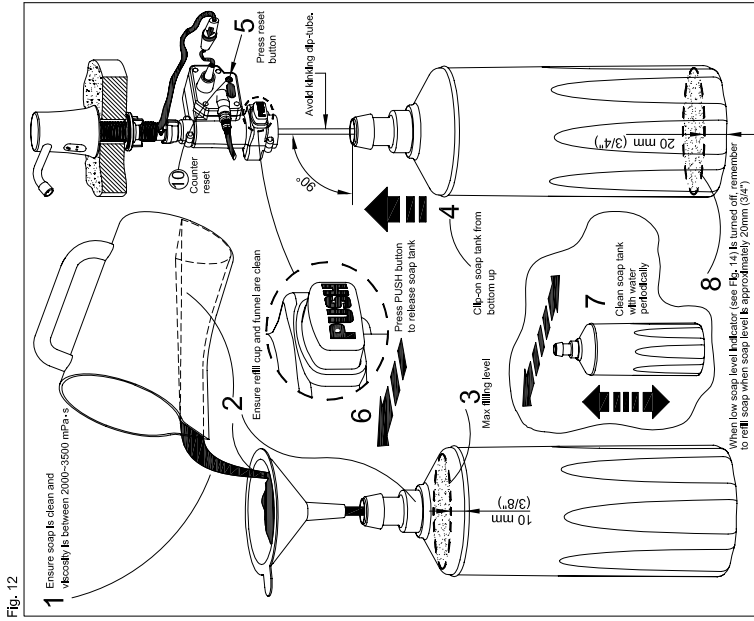
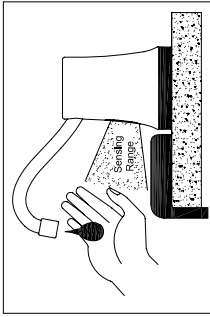


Fig. 12

10. Troubleshooting:

Problem	Diagnosis & Solutions
Red LED not working	<ul style="list-style-type: none"> Check if batteries are properly installed. Sensor cover is blocked or dirty. Please clean sensor cover with care.
Red LED solid on	<ul style="list-style-type: none"> Batteries low. Replace batteries.
Red LED flashing	<ul style="list-style-type: none"> Sensor is detecting an object. Remove any object that is causing false activation. System malfunction; please consult with distributor.
Blue LED flashing	<ul style="list-style-type: none"> Low Soap Level. Press counter reset button (10). System malfunction; please consult with distributor.
Low dispensing volume	<ul style="list-style-type: none"> Check if the dip-tube is bent and tip. Refill/drain. Verify soap viscosity by using viscosity meter. System malfunction; please consult with distributor.
Not dispensing	<ul style="list-style-type: none"> Refill/drain all cables. Check soap level. Ensure battery voltage is above 5.4 V. System malfunction; please consult with distributor.
Problem not described above	<ul style="list-style-type: none"> Please consult distributor.

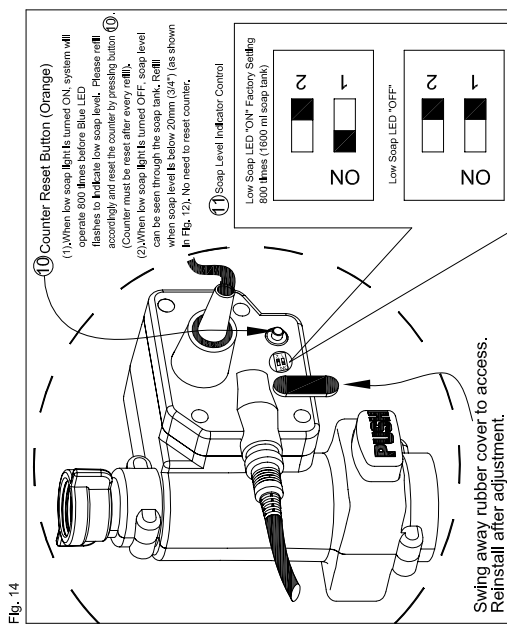


Fig. 14

Swing away rubber cover to access. Reinstall after adjustment.