

SENSOR OPERATED

Speedflow Plus



M17A
White finish



M17AB
Matte black finish



M17AC
Bright finish



M17A
Satin finish

General description

- The Speedflow® Plus line of hand dryers is categorized within the eco-fast range of product but with the added value of complying with the requirements of ADAAG for accessibility of public washrooms. This regulation requires that the depth of the dryer cannot exceed 100 mm to facilitate access and movement to people with disabilities inside the washroom.
- The new Speedflow® Plus hand dryer is especially suitable for places with a high traffic frequency such as airports, shopping centers, sports facilities, etc.
- Energy efficient, this hand dryer presents very low power consumption. With a maximum power of 850 W, this hand dryer, depending on the configuration applied, consumes only between 0.6 and 2.8 watts per drying cycle and 0.4 W in stand-by mode, one of the lowest energy consumption in the market
- Fast (maximum air speed 400 km / h) and quiet (57-65 dBA). Dries hands in only 12 seconds.
- Adjustable power motor to regulate power consumption between 180 and 850 W.
- HEPA filter media that filters solid particles in suspension.
- Universal voltage. It works at 100-120V or 220-240V indistinctly without any kind of adjustment.
- Micro-switch "ON/OFF" located on the electronic board. Allows to activate/deactivate the heating element.
- Detection of fixed targets. If a static object is detected in front of the sensor, the hand dryer automatically stops at 3-5 seconds as a safety measure.
- Automatic safety cut-out. After 30 seconds of continuous use the device switches off automatically.

Components and materials

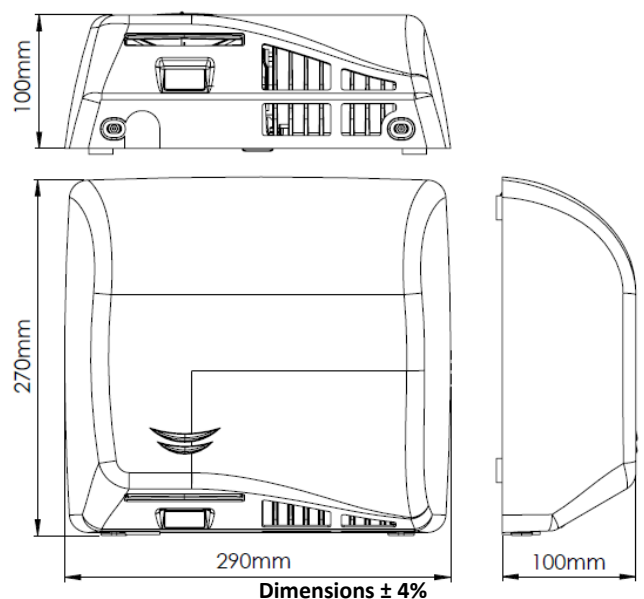
- **M17A:** steel, white epoxy finish.
- **M17AB:** steel, matte black epoxy finish.
- **M17AC:** AISI 304 stainless steel, bright finish.
- **M17ACS:** AISI 304 stainless steel, satin finish.
- **MOTOR:** high pressure class F, with self-resettable safety cut-out and adjustable speed between 23,000 and 32,000 rpm. This regulation is carried out manually by means of a potentiometer located on the electronic board and allows the regulation of the electrical consumption of the hand dryer. The motor has been configured to have a soft start that extends its life and dampens noise when starting.
- **ELECTRONIC DETECTION SENSOR:** by infrared beam with detection distance adjustable by potentiometer between 5 and 20 cm. It incorporates a safety system that detects any fixed target and makes hand dryer stops automatically in case a fixed object is placed in front of the sensor. In addition it has an automatic disconnection system of the unit after the 30

Technical Specifications

| | |
|--|------------------------------|
| Voltage (universal) | 100 – 120V / 220- 240 V |
| Frequency | 50/60 Hz |
| Electrical Isolation | Class I |
| Total power (H.E. (*) On) | 675-850 W |
| Total power (H.E. (*) Off) | 180-350 W |
| Consumption | 2,8-5 A (230 V) |
| Motor power | 350 W |
| Rpm | 23.000 – 32.000 |
| Heating element power | 0 or 500 W (switch "ON/OFF") |
| Dimensions | 270x290x100 mm |
| Weight | 3,2 Kg |
| Cover thickness | 1.5 mm |
| Drying time | 10 – 12 sec. |
| Air velocity | 290-400 Km/h |
| Air temperature (10 cm distance/25°C) | 42 °C |
| Noise level (at 2m) | 57-65 dBA |
| Protection rating | IP23 |

(*) H.E. = Heating Element

Dimensions



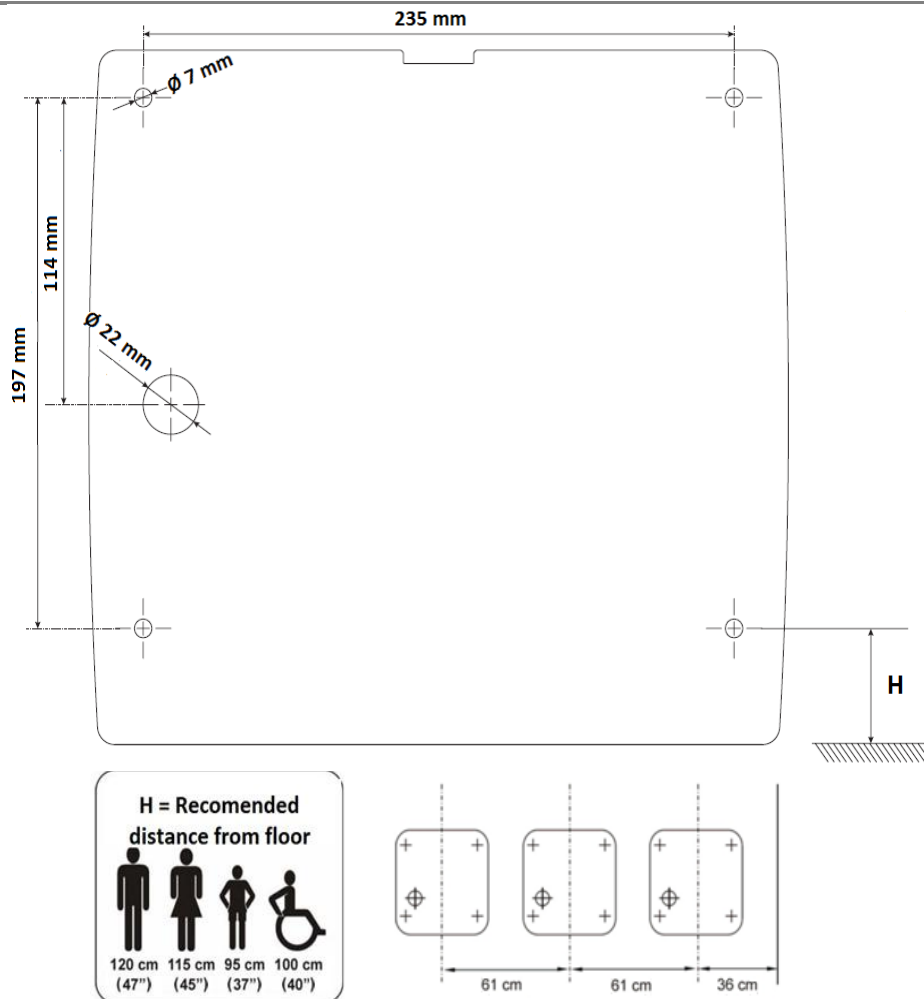
- **500 W HEATING ELEMENT:** made of Ni-Cr and with a self-resettable safety cut-out. It can be switched off manually thanks to a "ON / OFF" micro-switch located on the electronic board, allowing the electric consumption regulation of the hand dryer. In case of motor failure the heating element is immediately switched off automatically.
- **COVER:** one-piece, 1.5 mm thick and ultra-flat (only 100 mm deep), thus fulfilling the requirements of the ADA American accessibility regulations. It is fixed to the base by means of 2 safety screws and with a special Speedflow® supplied wrench, giving this hand dryer a great robustness and avoiding an undue access to the device interior.
- **BASE PLATE:** made of aluminum, it incorporates acoustic dampening elements (silent-blocks) for the suppression of mechanical vibrations in its rear part which together with a thoughtful internal design make this hand dryer one of the quietest of its class.
- **FAN SCROLL:** made with Polyamide 6 (PA 6) incorporating a flame retardant additive (UL 94 V0) that increases the resistance to plastic ignition and once ignited reduces the rate of flame propagation.
- **HEPA FILTER MEDIUM CARTRIDGE:** which filters solid particles in suspension, improving air quality significantly. It is a filter that traps some of the micro-particles contained in the air, such as: pollen, dust mites, fungi, tobacco smoke, etc. Furthermore, this cartridge also contains an activated carbon filtering medium that neutralizes odors and absorbs fumes and gases, improving the quality and the cleaning of the indoor air in the bath and thus avoiding bad odors.
- **ODOR NEUTRALIZER TABLET:** an optional odor neutralizer for a cleaner and more pleasant atmosphere in the bathroom is available (Code RCPOM14).
- **WALL FIXING ELEMENTS:** stainless steel screws for brick wall with their corresponding plastic plugs are provided with the hand dryer.

Operation

Place the hands under the air outlet. The dryer will automatically start the drying cycle and continue without interruption as long as the hands remain in the sensor actuating area. The appliance will stop working 2 seconds after the hands are removed from the air circulation or after 30 seconds of continuous use of the appliance.

Mounting

Recommended heights distance from the floor



Certificates and homologations

