

MEDINOX

90° angled bar stainless steel AISI 304



BAD090C

BAI090C



BAD090CS

BAI090CS

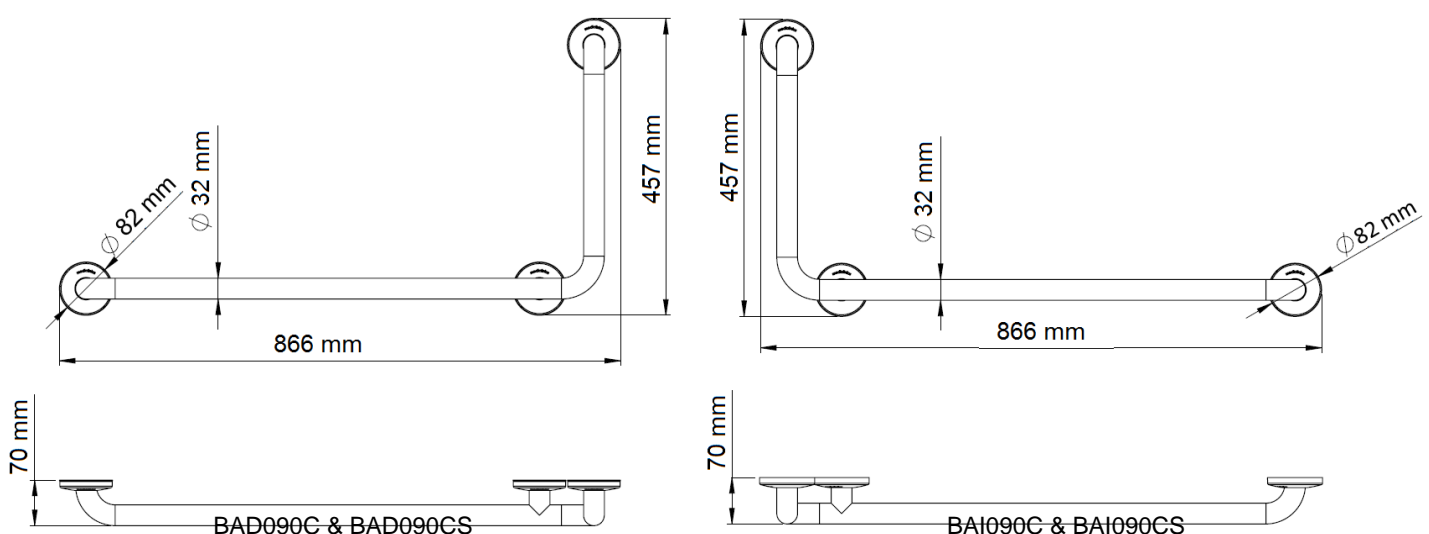
### General description

- Grab bar, 90° angle to the right (BAD090C & BAD090CS ) or to the left (BAI090C & BAI090CS ) with snap flange cover, made on stainless steel AISI 304, for showers, baths and changing rooms.
- Suitable to achieve barrier-free accessibility in bathrooms and public spaces.
- Highest durability and rusting resistance.

### Components and materials:

- **BAD090C & BAI090C:** AISI 304 stainless steel, bright finish.
- **BAD090CS & BAI090CS:** AISI 304 stainless steel, satin finish.
- Bar tube  $\varnothing$  32 mm (outer diameter), 1.5 mm thick. The bending process guarantees the uniformity of the diameter along the bends.
- Stainless steel AISI 304 mounting flange (3 units), 3 mm thick. Incorporates 2  $\varnothing$  6.5 mm screws holes for wall mounting.
- Stainless steel AISI 304 snap flange cover (3 units), 0.8 mm thick and  $\varnothing$  82 mm.
- Stainless steel nuts and bolts for masonry walls.

### Dimensions



MEDINOX

Straight bar

## Technical specifications

Dimensions	866 x 457 x 70 mm
Bar tube	Ø 32mm
Bar tube thickness	1.5 mm
Mounting flange	50x79 mm
Mounting flange thickness	3 mm
Snap flange cover	Ø 82 mm
Snap flange cover thickness	0.8 mm
Distance between bar and wall	38 mm

## MOUNTING TEMPLATE

750- 915 mm at lower point.

Mediclinics, S.A., reserves the right to make changes and/or modifications to the products and their specifications without prior notice  
Revision 09-17 © mediclinics S.A.

