

# RODAN

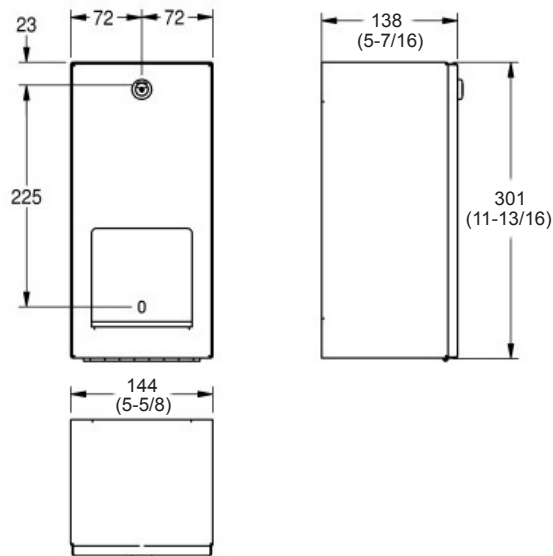
## RODX672

## Double Roll Toilet Paper Holder



- Material :** 18-10 stainless steel, type 304, 22 gauge (0.8mm)
- Finish :** Satin
- Capacity :** 2 rolls with max. 4-3/4" (120 mm) diameter
- Product Includes :** Standard Franke keyed cylinder lock and mounting hardware

**Overall Size :** 11-13/16" H x 5-5/8" W x 5-7/16" D  
(301mm x 144mm x 138mm)



Franke Commercial 'RODAN' #RODX672 Double Roll Toilet Paper Holder, 11-13/16" H x 5-5/8" W x 5-7/16" D (301mm x 144mm x 138mm), wall mounted, manufactured from 22 gauge (0.8mm) grade 18-10 type 304 stainless steel with satin surface finish, for 2 rolls with max. 4-3/4" (120 mm) diameter, standard Franke keyed cylinder lock and mounting hardware. Second roll is concealed and releases with spindles after consumption of the first roll. Provide adequate backing in wall for support and comply to local codes for barrier-free requirements.