

AURA SERIES

Robe hook



AI1318B
Black finish



AI1318C
Bright finish



AI1318CS
Satin finish

General Description

- Single right-angle bathroom robe hook made of AISI 304 stainless steel, from Mediclinics' Aura series.
- With an up-to-date and minimalist design, these bathroom robe hooks are ideal for elegant and modern bathroom spaces. These wall hangers are extremely durable thanks to their high-quality, anti-corrosive and highly resistant stainless steel.
- They allow you to keep things tidy and save space wherever they are installed, making these hooks some of the most essential bathroom accessories. Ideal for bathrooms in hotels, restaurants, hospitals, nursing homes and other public spaces, as well as for your own home.
- Hidden wall mounting system. Includes stainless steel hardware kit.

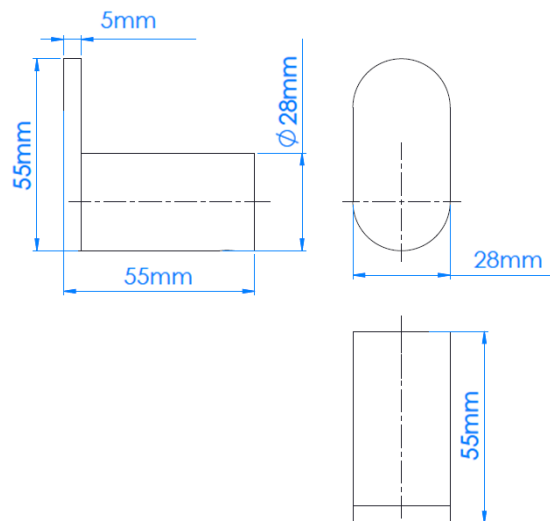
Components and materials

- **AI1318B:** robe hook made of AISI 304 stainless steel black finish.
- **AI1318C:** robe hook made of AISI 304 stainless steel bright finish.
- **AI1318CS:** robe hook made of AISI 304 stainless steel satin finish.
- **HOOK:** made of 5 mm thick AISI 304 stainless steel plate.
- **WALL BRACKETS:** two units, made with AISI 304 stainless steel cylindrical tube of Ø 28mm and 1.2mm thick. Attached to the bar by means of a threaded stud and nut.
- **WALL ANCHORS:** two units, made of AISI 304 stainless steel tube of Ø 22mm and 1.0mm thick. Attached to the wall bracket by means of a screw. It has two oval holes (one vertical and one horizontal) to facilitate wall mounting. They always remain hidden from the user's view.

Technical Specifications

Dimensions	55 x 55 x 28 mm
Hook thickness	5 mm
Wall bracket diameter	28 mm
Wall bracket thickness	1,2 mm
Net weight	120 g

Dimensions



Dimensions: ± 4%