



DJ0050A
White finish

General description

- Touch-free wall-mounted liquid soap or hand sanitizer dispenser of 1.2 L capacity, manufactured in high impact ABS plastic.
- Touchless operation to reduce cross-contamination and the spread of germs.
- Smart and trendy design that allows this soap dispenser to blend into any space perfectly.
- Perfect to use at bathrooms, kitchens, offices, schools, banks, hospitals, hotels and restaurants.
- Liquid level display window located at the front part of the dispenser to help monitoring the liquid content.
- Provided with a safety lock with a special key to help prevent tampering and vandalism and to avoid soap robbery in public places, at the same time that hygiene is guaranteed.
- Operates on 4 AA LR6 alkaline batteries (**not provided**).
- Suitable for liquid soap or hand sanitizing.
- It is recommended to use liquid soap or hand sanitizer with the following characteristics:
 - Maximum alcohol content of 80%
 - Density between 0.9 and 1.35 kg / dm³
 - Viscosity between 500 and 2,500 cps.
- **It does not support soaps that contain methanol, chlorine or solid or abrasive particles.**
- Screws and plastic plugs to mount on a brick wall supplied.

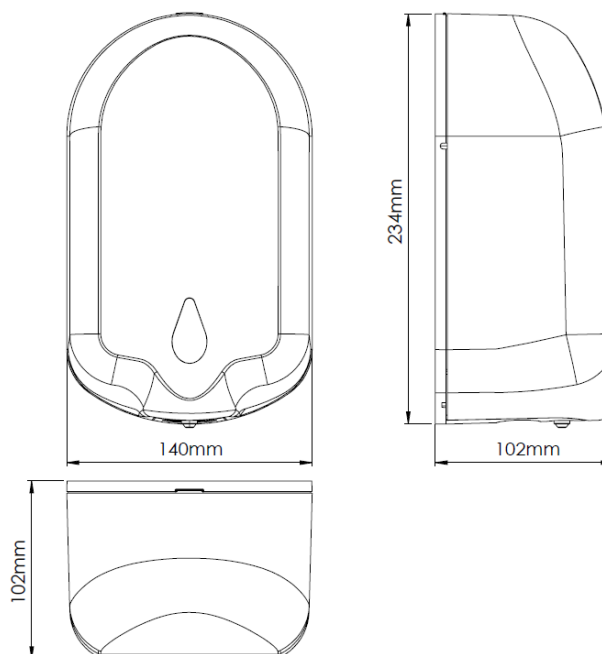
Components and materials

- **COVER:** made of high impact ABS plastic, 3.0 mm thick and with a level display window. Opening on top thanks to a safety lock with a provided special key.
- **WALL PLATE:** made of ABS plastic, 2.8 mm thick. It is mounted on the wall by means of four M4 stainless steel screws (provided) with their corresponding Ø 6mm plastic plugs (also provided).
- **INNER PLASTIC TANK:** made of plastic material, 1.5 mm thick.
- **INFRA-RED DETECTION:** with a 3-10 cm hands detection range.
- **VALVE:** anti-drip corrosion resistant that dispenses 1.2 ml of soap per service.
- **VOLTAGE:** DC 6V thanks to 4 AA LR6 alkaline batteries (**not provided**).

Technical specifications

| | |
|------------------------------------|--------------------|
| Dimensions | 236 x 144 x 106 mm |
| Capacity | 1.2 L |
| Cover | 3.0 mm |
| Base plate thickness | 2.8 mm |
| Inner Tank Thickness | 1.5 mm |
| Net weight | 0.7 Kg |
| Quantity dispensed per pump | 1.2 ml |

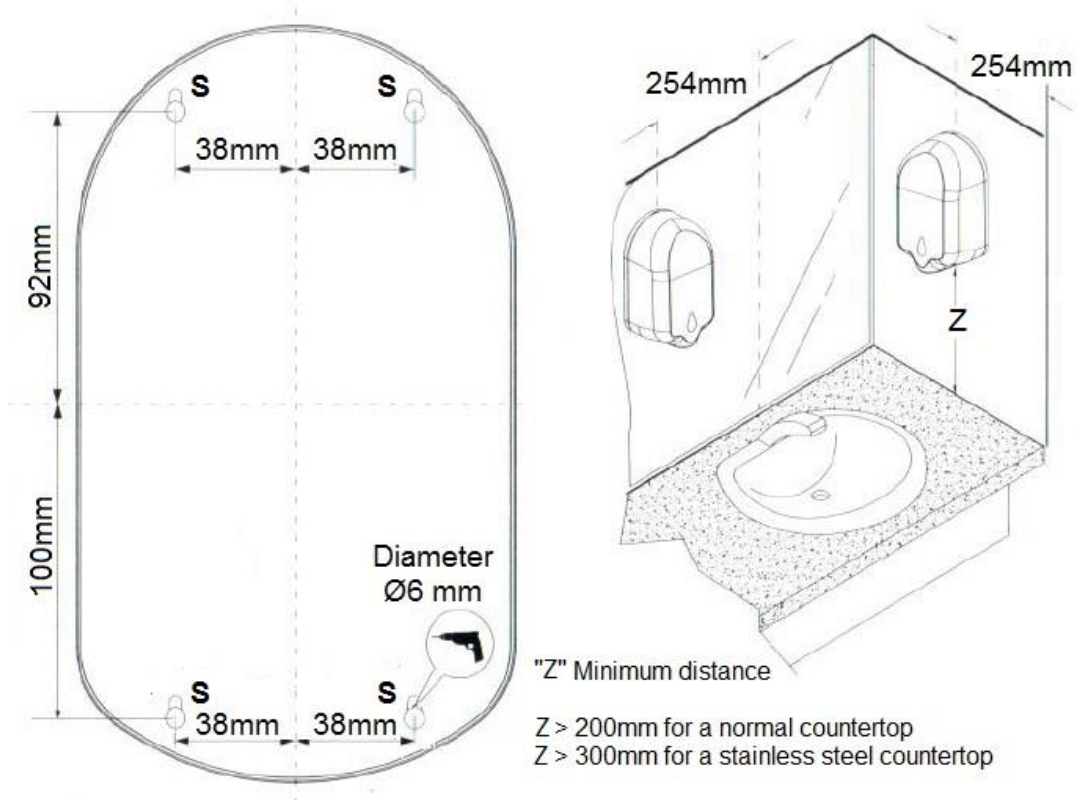
Dimensions



Dimensions: ± 4%

MOUNTING TEMPLATE

Fix the dispenser through the holes of the wall plate by using the stainless steel screws supplied and taking into account the distances of the points indicated by an "S" in the next figure:



It is recommended to avoid installation of dispenser near high reflective objects (mirrors, stainless steel washbasins, taps, etc.) in order to avoid faulty function of the presence sensor.

VERY IMPORTANT: do not install this soap dispenser inside the shower, as its electrical components can be seriously damaged by water and the dispenser stops working. If you choose the configuration with an electric converter, install it away from any source of water.

Mediclinics, S.A., reserves the right to make changes and/or modifications to the products and their specifications without prior notice
Review 02-21 © mediclinics S.A.

