

BATHROOM ACCESSORIES **GW05 44 04 02 "CRETA SERIES" wall mounted soap dispenser**



**Product description**

Wall mounted soap dispenser.  
Material: AISI 304 stainless steel  
Finish: Chrome plated  
Tank made of glass in acid matte finish  
Creta Series

**Technical specifications:**

"Creta Series" tumbler holder. The product consists of a wall mount, a wall plate covering the wall mount and a tank. The tank, which is made of pressed glass with an acid matte finish, is fitted in the circular holding accessory that is attached to the central cylinder by means of screws. The wall plate is made of AISI 304 stainless steel and has a diameter of 64,5mm. The wall mount, made of steel, has two holes so it can be fixed to the wall by means of screws. The assembled set has a chrome plate finishing that provides it an appropriate resistance against corrosion. The product is anchored by means of 2 nylon wall plugs and 2 screws. The overall dimensions of the product are 68 x 121 x 195 mm. The bathroom accessory model is GW05 44 04 02, manufactured by GENWEC WASHROOM S.L. - Av. Joan Carles I, 46-48 08908 L'Hospitalet de Llobregat.

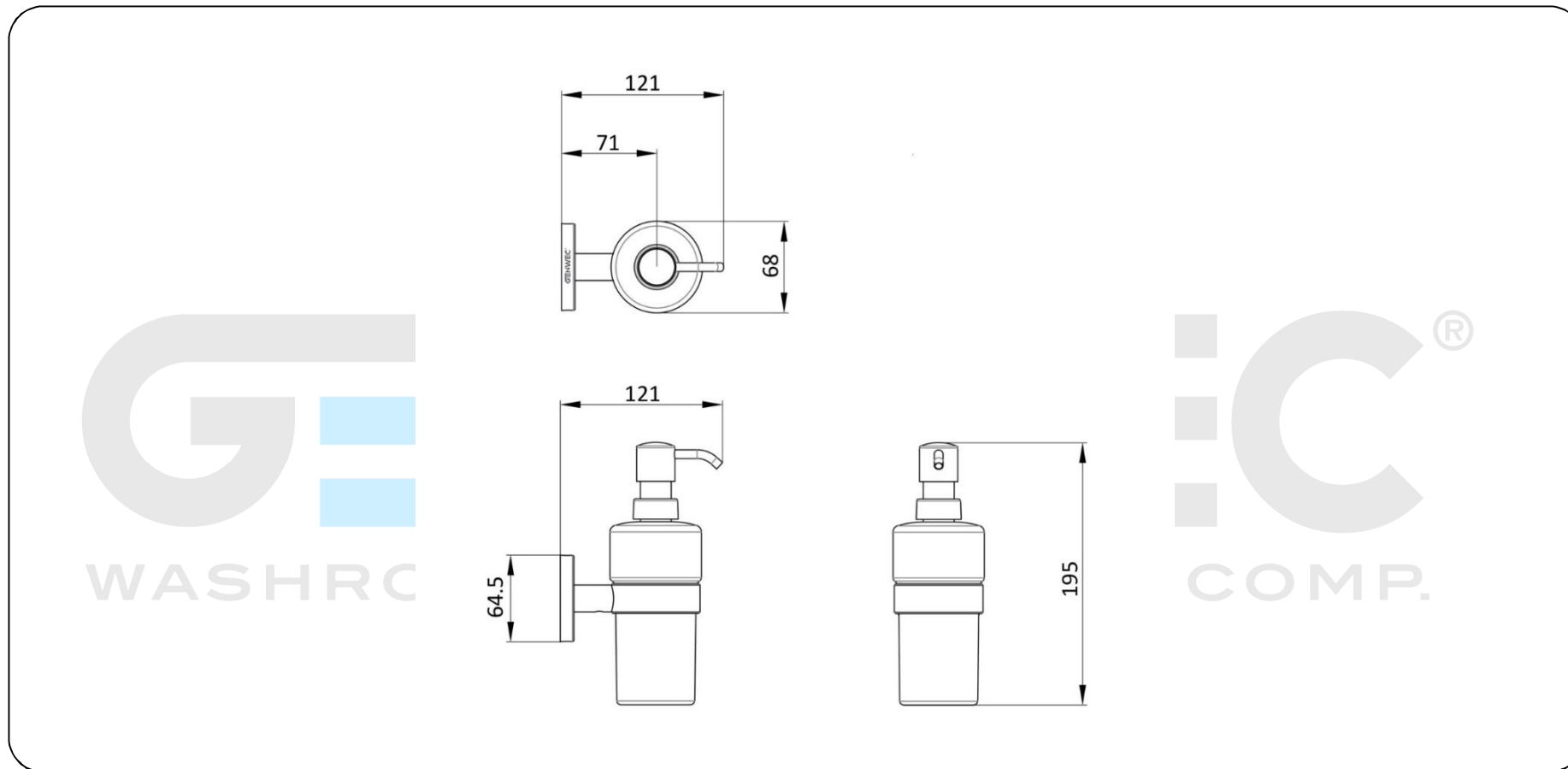
**Technical characteristics**

**Product specifications**

- Tank made of e hanger made of pressed glass with an acid matte finish.
- Wall plate made of AISI 304 stainless-steel with a 64,5 mm diameter.
- The metal parts have a chrome plate finishing that provides them an appropriate resistance against corrosion.

**Packaging specifications**

- Type of individual package: Individual cardboard box and bubble wrap.



**Cleaning:** A cotton cloth slightly dampened in a soapy solution is recommended. Then dry off.