

<b>SURFACE</b>	<b>Lever activated</b>
----------------	------------------------



**DJFP0035**  
White finish



**DJFP0035B**  
Black finish



**DJFP0035C**  
Bright finish



**DJFP0035CS**  
Satin finish

### General Description

- Foam soap dispenser of 1.5 L capacity, manufactured in stainless steel AISI 304, 0,8 mm thick, to be installed directly on the wall and lever-operated by means of an stainless steel lever.
- Available in four finishes (white, black, bright and satin) these foam soap dispenser models have a functional, robust and trendy design that matches the new range of Mediclinics bathroom accessories. This allows this soap dispenser to blend into any space perfectly.
- Suitable for high traffic facilities and for public use.
- Dispenses foam soaps.

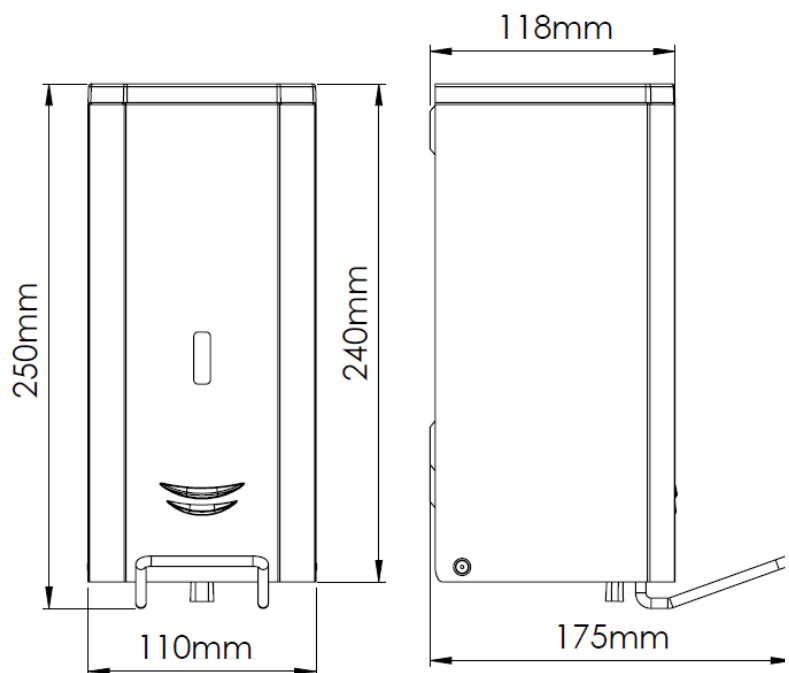
### Components & materials

- **DJFP0035:** Stainless steel AISI 304, white epoxy finish.
- **DJFP0035C:** Stainless steel AISI 304, bright finish.
- **DJFP0035CS:** Stainless steel AISI 304, satin finish.
- **DJFP0035B:** Stainless steel AISI 304, black epoxy finish.
- Level display in the front part that constantly indicates the level of soap available inside the soap dispenser.
- Inner plastic tank that prevents oxidation and that can be easily removed for cleaning and disinfection purposes.
- Lever made in stainless steel.
- Anti-drip corrosion resistant valve that dispenses 1.0 ml of soap per service. This anti-drip valve, which dispenses foam soap, is easily interchangeable with the valves of the other soap dispensers of the same line.
- Hinged cover for operator convenience and speed of service.
- Opening on top with provided Mediclinics key that allows soap refill.
- It is mounted on the wall by means of four Ø4 stainless steel screws (provided) with their corresponding Ø 6mm plastic plugs (also provided).
- It is recommended to use foam soaps with a density between 0.95 and 1.05 kg/dm<sup>3</sup>.

### Technical Specifications

<b>Dimensions</b>	250 x 110 x 175 mm
<b>Capacity</b>	1,500 ml
<b>Body, cover &amp; base plate thickness</b>	0.8 mm
<b>Inner Tank Thickness</b>	2.5 mm
<b>Net weight</b>	1.25 Kg
<b>Quantity dispensed per pump</b>	1.0 ml

### Dimensions



Dimensions ± 4%

---

## OPERATION

---

Place one hand just under the soap dispenser valve and press the lever until the end of the soap dosage.

---

## MOUNTING TEMPLATE

---

10-15 cm from shelf.

---

---

Mediclinics, S.A., reserves the right to make changes and/or modifications to the products and their specifications without prior notice.  
Revision 05-16 © mediclinics.

