

RECESSED

Push-button



**DJT118**  
Bright finish

### General description

- Countertop-mounted soap dispenser shall dispense 950ml.
- Push-button actuated.
- Model suitable for collectivities and for installation in areas with high traffic of people.
- Dispenses liquid soap or hand sanitizing gels.
- It is recommended to use liquid soap or hand sanitizing gel with the following characteristics:
  - Maximum alcohol content of 80%
  - Density between 0.9 and 1.35 kg/dm<sup>3</sup>
  - Viscosity between 500 and 2,500 cps.

**It does not support soaps that contain methanol, chlorine or solid or abrasive particles.**

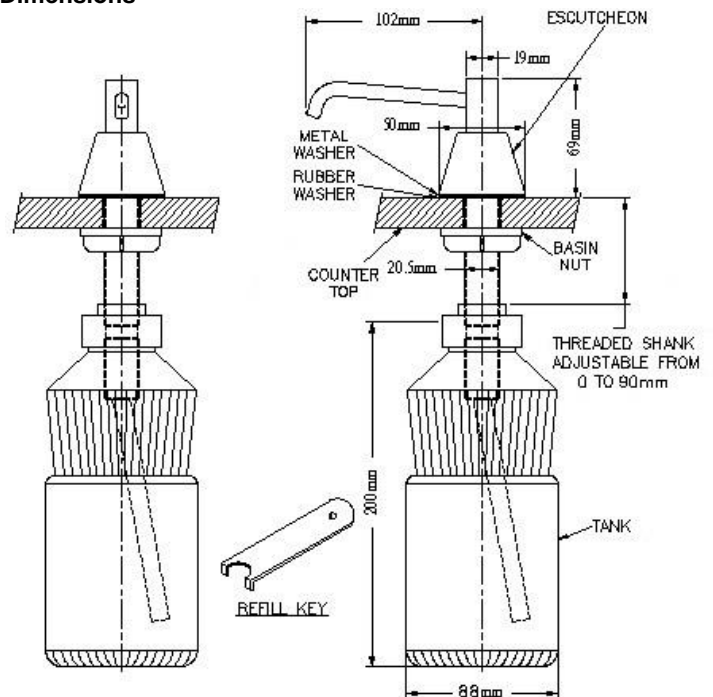
### Components and materials

- **DISPENSER STEM & 102 MM SPOUT:** chrome-plated brass, bright finish, with rubber "duck bill" check valves and an O-ring seal. Vandal-resistant spout shall rotate 360° without damage to unit. Valve operation shall comply with ADA Accessibility (no more than 22.2 Newtons of pressure to actuate without grasping or twisting by operator).
- **TANK:** shall be translucent, shatter-resistant polyethylene, refillable from the top
- **THREADED SHANK:** shall be gray thermoplastic ABS, shatter-resistant.
- **ESCUTCHEON:** made of chrome-plated brass, bright finish.
- **VALVE BODY, INTERNAL PARTS, BASIN NUT AND TANK ADAPTER:** modeled plastic.
- **SPRING, ESCUTCHEON WASHER, STEM RETAINER COLLAR AND SCREW:** made of stainless steel.

### Technical Specifications

<b>Weight (empty)</b>	0,425 Kg
<b>Pressure pulsation</b>	20,0 N
<b>Capacity</b>	0,95 L
<b>Quantity dispensed per pump</b>	1 ml
<b>Escutcheon</b>	Ø50 mm
<b>Countertop hole</b>	Ø25 mm
<b>Tank height</b>	216 mm

### Dimensions



Dimensions ±4%

### MOUNTING TEMPLATE

Countertop recessed, according to dimensions showed in the previous sketch.

Unit is typically located adjacent to a flush mounted lavatory, through Ø 22-25 mm cut out (by others) in counter top. An adjustable threaded shank allows for installation in counter tops up to 90mm high.