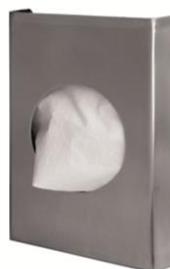


MEDINOX

Bag dispenser



AI0920C
bright finish



AI0920CS
satin finish

General Description

- Sanitary bag dispenser with front and rear plate welded, made in stainless steel AISI 304.
- Model suitable for collectivities.
- Without removable components.

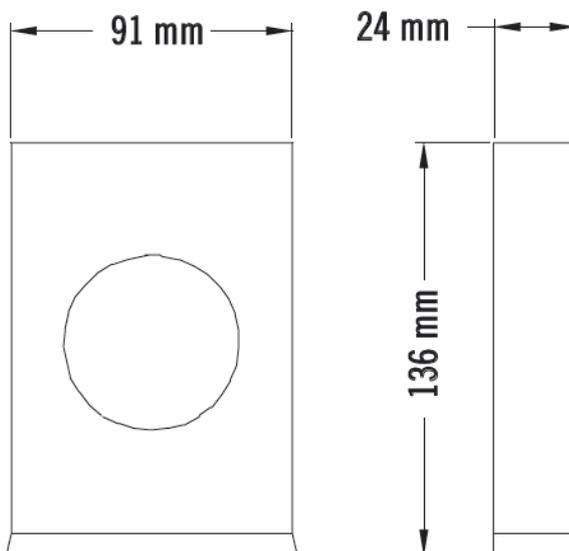
Technical Specifications

General dimensions	136x91x24 mm
Body thickness	0.8 mm
Plate thickness	0.8 mm
Weight (empty)	0.2 Kg

Components & materials

- **AI0920C:** AISI 304 stainless steel, bright finish.
- **AI0920CS:** AISI 304 stainless steel, satin finish.
- Front and rear plate made in stainless steel AISI 304, 1 mm thick, totally welded.
- Installation to the wall by means of an upper slotted hole and a lower oval hole.
- Refill with sanitary bags from carton boxes of 136x91x24mm
- Screws and plugs for installation to the wall are provided.

Dimensions



Dimensions: ±4%

MOUNTING TEMPLATE

No specific instructions for use.