



**AC0962C – AC0963C Chrome-plated
brass bright**

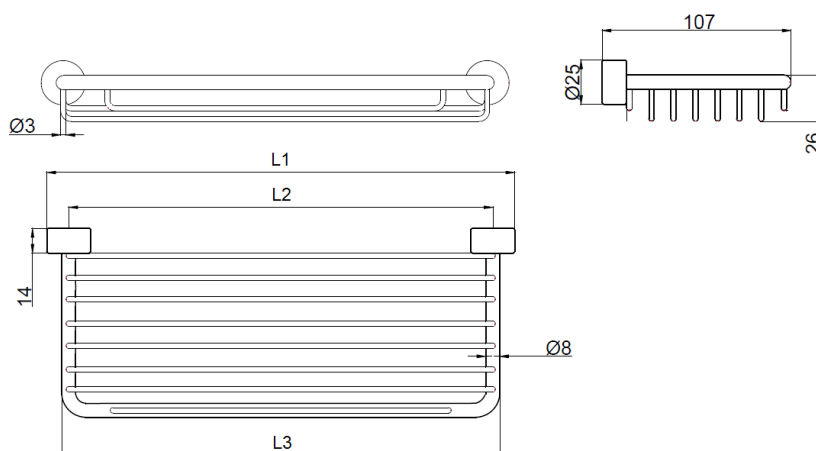
General description

- Soap basket grill format, chromed brass, for wall mounting.
- Suitable for the hotel sector, for fitting out the bathrooms in the hotel rooms.
- Model suitable for public use.
- With no removable components.
- It normally goes along with chromed brass tower ring or rail.

TECHNICAL SPECIFICATIONS

Dimensions	<i>L1 x 26 x 107 mm</i>
Ø Perimeter frame tube	<i>8 mm</i>
Ø Basket grill	<i>3 mm</i>
Ø Snap flange cover	<i>25 mm</i>
Chrome thickness	<i>9-10 µm nickel / 0,3-0,4 µm chromed</i>

Dimensions



Components and Materials

- **SOAP BASKET GRILL:** format with chromed brass roads of Ø 8 mm and 3 mm, with a protection thickness of 9,4µm nickel + 0,4 µm chromed.
- **MOUNTED:** to the wall by means of 2 fixing points.
- **CHROMED BRASS SNAP FLANGE COVER:** 2 units with a protection thickness of 9,4µm nickel + 0,4 µm. They will be fixed to the soap basket by means of 2 keep pins.

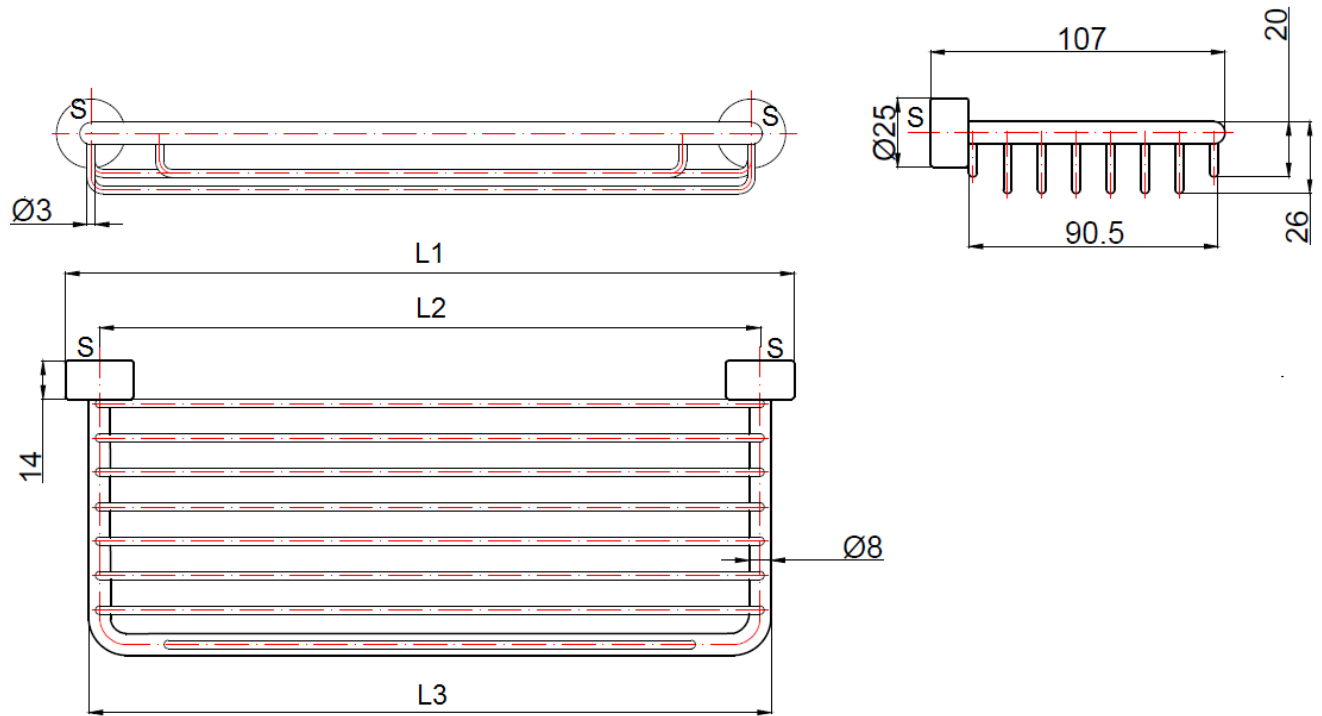
	L1 (mm)	L2 (mm)	L3 (mm)
AC0962C	175	150	158
AC0963C	264	239	248

Dimensions: ± 4%

Mounting

Recommended installation

Fixed the anchor plate to the wall at the desired height, using the screws provided and taking into account the distances of the points indicated by an "S" in the following figure:



Mediclinics, S.A., reserves the right to make changes and/or modifications to the products and their specifications without prior notice
Revised 04-23 © mediclinics S.A.

