

Robust Hand Dryer

Please read these instructions carefully and store in a safe place for future reference.

DV2100

As part of the **P+L Systems® Washroom** brand of washroom hygiene products, **DV2100** is a robust hand dryer, available in plastic, white metal or brushed stainless steel.

Contents of package

- 1 x DV2100 hand dryer
- 1 x M4 Hex key
- 4 x Wall mounting screws and wall plugs
- 1 x Mounting template

WARNING

- **DV2100** should only be installed by qualified electricians.
- This appliance must be correctly earthed (Class I) and is not designed for domestic use.
- Do not install this hand dryer above sources of water such as sinks or taps.

POSITIONING

DV2100 should be mounted at the appropriate height for the application as shown in the recommended mounting height table.

Where two or more dryers are being installed, ensure there is at least 600mm between each dryer.

MAINTENANCE

It is recommended that the dryer is checked every month. Ensure that no objects are blocking airflow either in or out of the dryer and that the dryer functions correctly.

CLEANING

CLEANING SHOULD BE CARRIED OUT BY TRAINED SERVICE PERSONNEL ONLY. ENSURE THAT THE UNIT IS DISCONNECTED FROM MAINS ELECTRICAL SUPPLY BEFORE CLEANING. DO NOT REMOVE THE FRONT COVER. WIPE DOWN THE EXTERIOR OF THE UNIT WITH A DAMP CLOTH, REMOVING ANY BUILDUP OF DIRT. DO NOT SPRAY WATER OR CLEANING SOLUTIONS INTO THE DRYER. DO NOT USE ABRASIVE, CHLORINATED OR HIGH ALKALINE CLEANERS. ENSURE THE UNIT IS COMPLETELY DRY BEFORE RECONNECTING THE POWER SUPPLY.

GUARANTEE

DV2100 has a two year guarantee and if maintained as recommended in these instructions should continue to work for many years.*

*Does not cover breakdown due to misuse, incorrect operation or use in an incorrect application

Appliance to be kept out of the reach of children
This appliance is not intended for use by persons (including children) with reduced physical, sensory or mental capacities, or lack of experience and knowledge, unless they have been given supervision or instruction concerning use of the appliance by a person responsible for their safety.
Children should be supervised to ensure they do not play with the appliance.

For private households: Information on Disposal for Users of WEEE

This symbol (figure 1) on the product(s) and / or accompanying documents means that used electrical and electronic equipment (WEEE) should not be mixed with general household waste. For proper treatment, recovery and recycling, please take this product(s) to designated collection points where it will be accepted free of charge.

Alternatively, in some countries, you may be able to return your products to your local retailer upon purchase of an equivalent new product. Disposing of this product correctly will help save valuable resources and prevent any potential negative effects on human health and the environment, which could otherwise arise from inappropriate waste handling. Please contact your local authority for further details of your nearest designated collection point. Penalties may be applicable for incorrect disposal of this waste, in accordance with your national legislation.

For professional users in the European Union

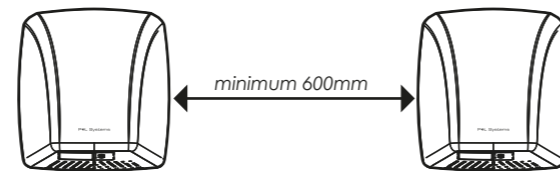
If you wish to discard electrical and electronic equipment (EEE), please contact your dealer or supplier for further information.

For disposal in countries outside of the European Union

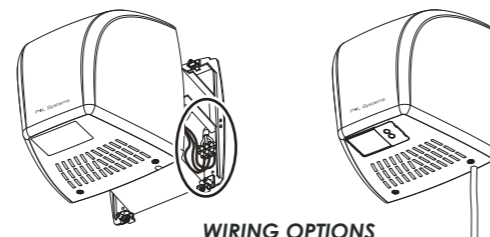
This symbol is only valid in the European Union (EU). If you wish to discard of this product, please contact your local authorities or dealer and ask for the correct method of disposal.

RECOMMENDED MOUNTING HEIGHTS

USER	HEIGHT
Men	109cm
Women	104cm
Children, ages 11 - 17	99cm
Children, ages 3 - 10	84cm
Wheelchair users	89cm



Discreet wiring Simple wiring



WIRING OPTIONS

DV2100

INSTALLATION

INSTALLATION SHOULD BE CARRIED OUT BY SERVICE PERSONNEL ONLY, IN LINE WITH LOCAL WIRING REGULATIONS. ENSURE POWER IS ISOLATED FROM THE CONNECTION POINT BEFORE STARTING THE INSTALLATION PROCESS.

The mains cable can either enter from behind the dryer for discreet installation (Requires a sunken mains cable) or from below for simple installation (Does not require a sunken mains cable.)

To install **DV2100**...

1. Remove the dryer front guard by first unscrewing the three retaining screws holding the guard in position, using the supplied hex key.
2. Offer the hand dryer backplate up to the mounting surface and mark the four fixing points through the holes in the backplate.
3. Drill the four marked fixing holes and insert the supplied wall plugs.
4. Offer the dryer backplate up to the wall, and insert the four fixing screws through the backplate into the wall plugs.
5. Connect the three wires coming from the mains supply to the terminal block, ensuring the correct locations are used for each wire as described below.

WIRING MARKINGS

Terminal Block Marking	Standard wire colour
L (Live)	Brown
N (Neutral)	Blue
⊕ (Earth)	Green & yellow

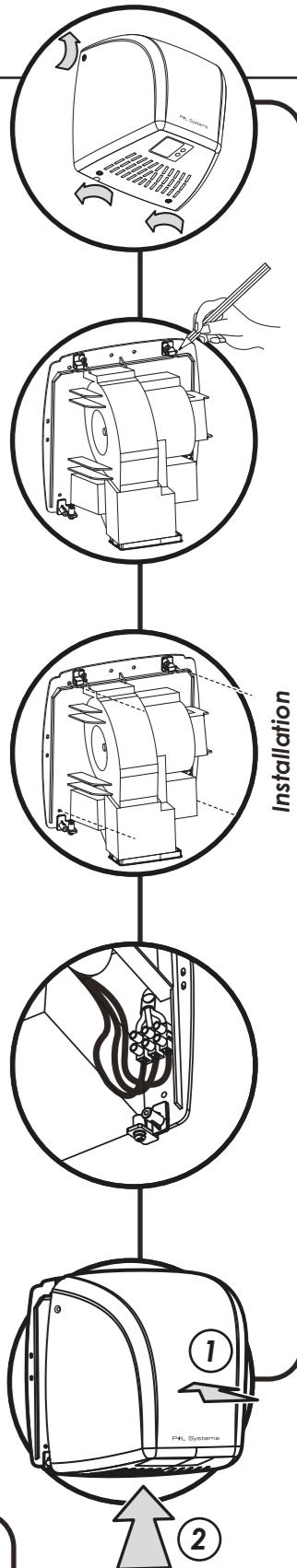
6. Replace the front guard and loosely insert the three retaining screws, before tightening them all to fix the guard in position.
7. Use an appropriate silicone sealant and culling gun to apply a silicone seal around the entire dryer, between the front guard and mounting surface. This will both further secure the front guard in place and protect from water ingress.

USING DV2100

DV2100 incorporates no touch sensor activation for hygienic use. Before inserting hands under the dryer, shake off excess water. The dryer will stop activation when hands are removed.

SPECIFICATION

Unit	DV2100P	Unit	DV2100W	Unit	DV2100S
Voltage	230V ~ 50Hz	Voltage	230V ~ 50Hz	Voltage	230V ~ 50Hz
Dimensions(mm)	252 x 273 x 207	Dimensions(mm)	252 x 273 x 207	Dimensions(mm)	252 x 273 x 207
Weight	2.5 Kg	Weight	3.2 Kg	Weight	2.9 Kg
Power Draw	2,100 w	Power Draw	2,100 w	Power Draw	2,100 w
Motor Speed	5,000 RPM	Motor Speed	5,000 RPM	Motor Speed	5,000 RPM
Drying Time	25 seconds	Drying Time	25 seconds	Drying Time	25 seconds
Noise Level	75 db	Noise Level	75 db	Noise Level	75 db
IP Rating	IPX1	IP Rating	IPX1	IP Rating	IPX1



Installation