

BINS	Open waste receptacle
-------------	------------------------------



PP1065 / PP1080



PP1065C / PP1080C



PP1065CS / PP1080CS

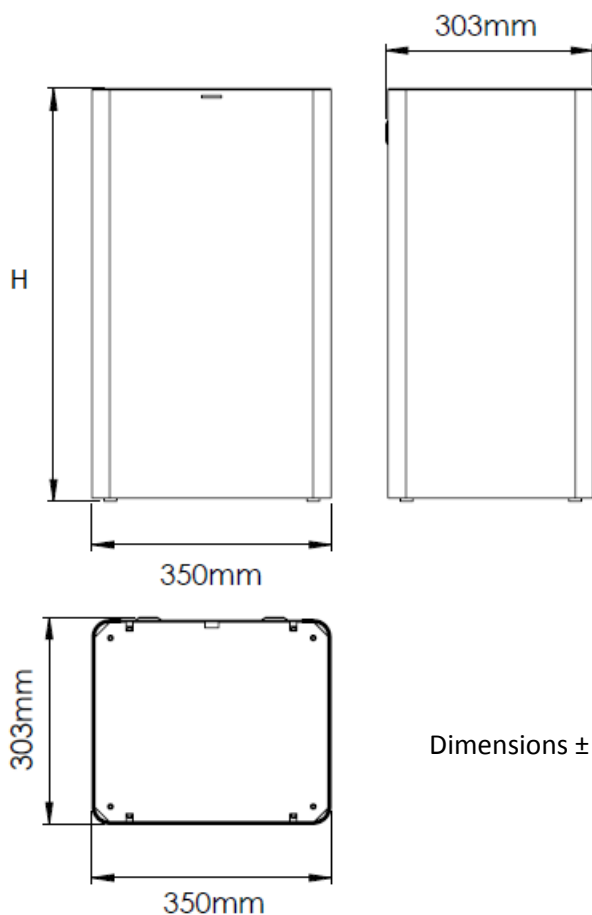
General Description

- Waste receptacle without lid, 65 / 80 L of capacity, one piece manufactured, fully sealed. For free standing on the floor or wall mounted by means of 2 slot holes drilled on the back of the appliance.
- Suitable for lavatories and in-doors public areas with very high traffic. Model suitable for public use.

Components & Materials:

- **PP1065/PP1080:** steel white epoxy coated body, 1 mm thick.
- **PP1065C/PP1080C:** stainless steel bright finish body, 1 mm thick.
- **PP1065CS/PP1080CS:** stainless steel satin finish body.
- Retaining system inside of the body to secure the waste bag.
- Four EPDM rubber feet to keep the bottom of the bin clear of any moisture.

Technical specifications & dimensions



Model	Capacity (L)	Weight (Kg)	H (mm)	Body thickness (mm)
PP1065	65	7.0	605	1.0
PP1065C				
PP1065CS				
PP1080	80	8.4	755	
PP1080C				
PP1080CS				

MOUNTING TEMPLATE

Secure the frame with mounting screws into the holes for wall mounted option.