

Please read these instructions carefully and store in a safe place for future reference.

DM2300

DM2300 is an automatic metal hand dryer for use in commercial washroom or similar environments. **DM2300** is available in either white metal or brushed stainless steel.

1. Contents Of Package...

- 1 x Hand Dryer
- 1 x Fixing Kit (4 x rawl plugs, 4 x wall screws, 1 x Allen Key)
- 1 x Instruction Sheet

2. Positioning...

N.B. BEFORE ANY FORM OF MAINTENANCE, ENSURE THE UNIT IS FULLY ISOLATED FROM THE POWER SUPPLY.

Your **DM2300** is designed for wall mounting with the enclosed fixing kit. Your **DM2300** should ideally be positioned as described in the height installation table below.

3. Installation

N.B. Your DM2300 should be installed by a qualified electrician in accordance with all relevant local wiring regulations.

3.1 Drill four fixing holes into the mounting surface, spaced as shown in fig 1 and insert the enclosed rawl plugs. **NB, FOR CERTAIN WALL MATERIALS SUCH AS PLASTERBOARD OR WOOD PANNELING, FIXINGS SPECIFICALLY INTENDED FOR THIS USE SHOULD BE SOURCED AND USED.**

3.2 Unscrew the two hex retaining screws with the provided allen key. (fig 2)

3.3 Remove the outer and unclip the sensor connecting cable as shown. (fig 3)

3.4 Screw the backplate to the mounting surface using the four enclosed screws. (fig 4)

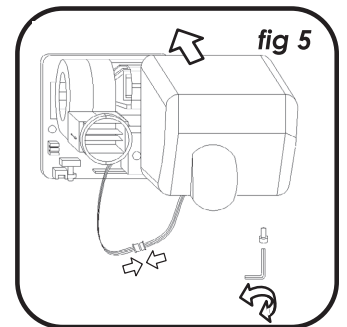
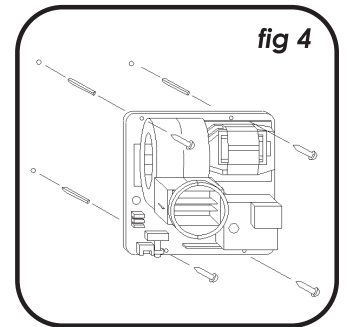
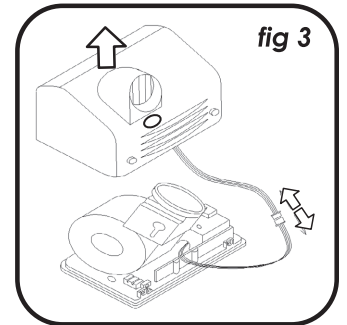
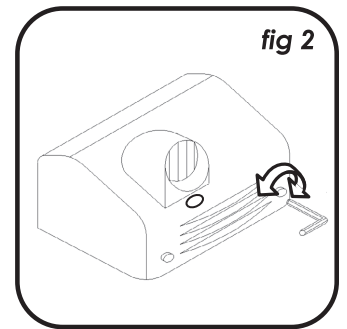
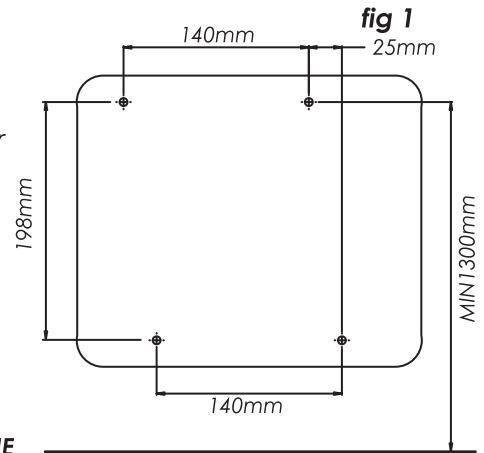
3.5 Once firmly in place, reattach the sensor connecting cable, relocate the outer in position and secure with the two hex retaining screws. (fig5) **ENSURE NO PART OF THE CONNECTING CABLE IS TRAPPED BETWEEN THE OUTER AND THE BACKPLATE.**

4. Using your DM2300 hand dryer...

Once in position your **DM2300** hand dryer is activated by the user positioning their hands below the nozzle.

Recommended Mounting Heights... (From bottom edge of dryer)

	(cm)		(cm)
Men	109	Children, ages 11-17	99
Women	104	Children, ages 3-10	84
		Wheelchair users	89



SPECIFICATION

Unit	DM2300W	Unit	DM2300S
Voltage	230V ~ 50Hz	Voltage	230V ~ 50Hz
Dimensions(mm)	261 x 240 x 205	Dimensions(mm)	261 x 240 x 205
Weight	5.1Kg	Weight	4.9Kg
Power Draw	2,300 w	Power Draw	2,300 w
Motor Speed	5,800 RPM	Motor Speed	5,800 RPM
Drying Time	25 Seconds	Drying Time	25 Seconds
Guarantee	Year.	Guarantee	Year