



**BAD090**  
White finish



**BAI090**  
White finish

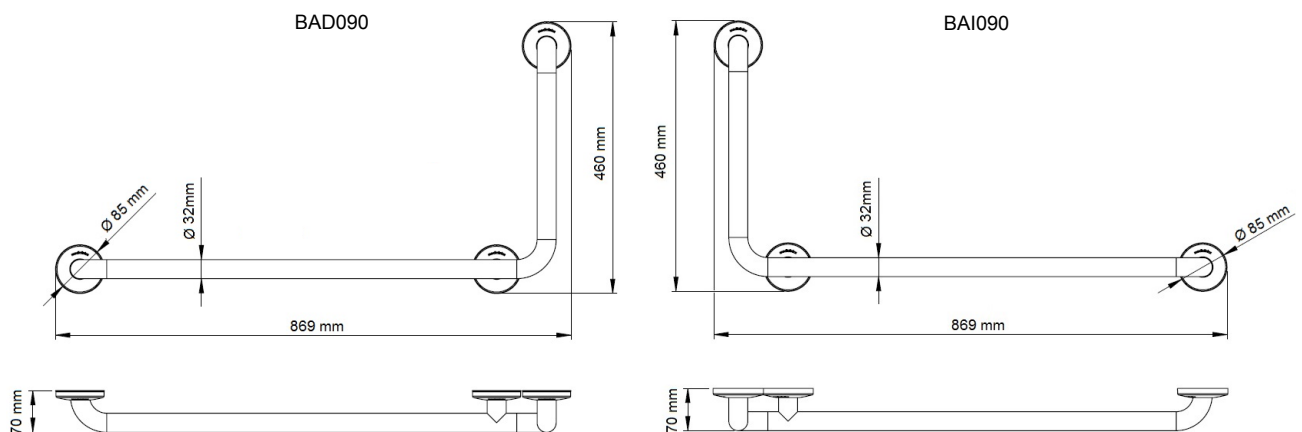
### General description

- White epoxy-coated grab bars curved in 90°, to be installed on the wall, with Polypropylene snap flanges and made of Ø 32 mm steel tube.
- These grab bar make the daily life-management of not only the disabled and elderly people easier but also it is a great support for everybody who needs help with moving.
- Especially designed to achieve barrier-free accessibility in bathrooms and public spaces.
- With three snap flanges, made of white Polypropylene that provide a clean finished look hiding the mounting screws.
- Easy to clean.
- Optionally, they have a kit to avoid electrical conductivity (code KA0010).
- Fixing screws for brick wall included.

### Components and materials

- **BAD090C & BAI090C:** right hand grab bar made of steel, white finish.
- **BAD090CS & BAI090CS:** left hand grab bar made of steel, white finish.
- **TUBING:** made of 32 mm diameter tube, seamless construction. The bending process guarantees the uniformity of the diameter along the bends.
- **CONCEALED MOUNTING FLANGE:** three units made of steel, 3 mm thick. Incorporates two Ø 6.5 mm screws holes for wall mounting.
- **SNAP FLANGE COVER:** three units made of Polypropylene, 1.5 mm thick and Ø 85 mm. Each cover snaps over mounting flange to conceal mounting screws.

### Dimensions



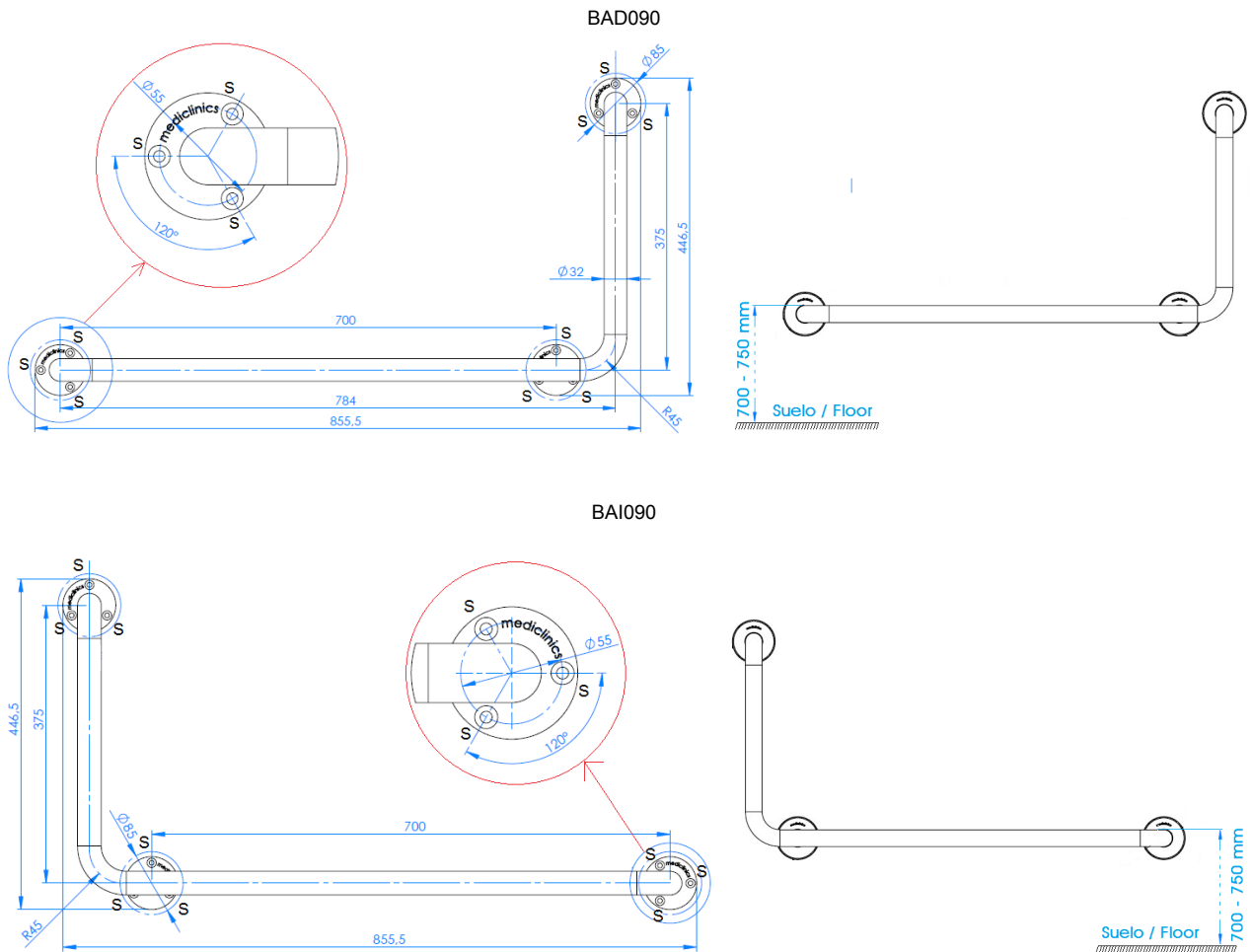
Dimensions: ± 4%

## Technical specifications

Dimensions	869 x 460 x 70 mm
Bar tube	Ø 32mm
Mounting flange	Ø 71.5 mm
Mounting flange thickness	3 mm
Snap flange cover	Ø 85 mm
Snap flange cover thickness	1.5 mm

## MOUNTING TEMPLATE

Fix the grab bar to the wall through the 3 holes of each mounting flanges to the wall, using the screws provided and taking into account the distances of the points indicated by an "S" in the following figure:



**It is not recommended to install the Mediepoxy line bars in places where the bars will be in direct contact with water, in damp and/or chlorinated environments.**

**Mediclinics is not responsible for corrosion that may appear on the bars caused by abrasion on the anchorage points because of an improper installation.**

Mediclinics, S.A., reserves the right to make changes and/or modifications to the products and their specifications without prior notice  
 Review 01-19 © mediclinics S.A.

